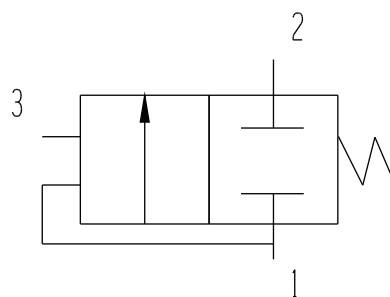
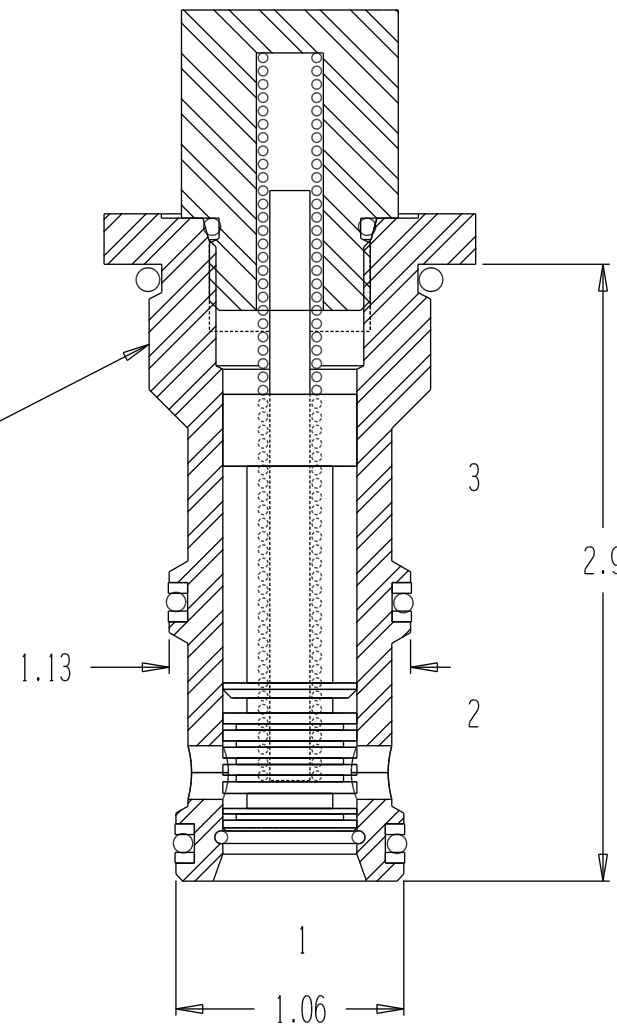


# 8113-16X-XXXX

OMIT IF NO BODY NUMBER  
SEE BODY DRAWING FOR CODE

16 = BUNA 90 O-RING SEALS  
16V = VITON 90 O-RING SEALS

1.312-12 THREAD



FUNCTIONAL SYMBOL

PRESSURE COMPENSATOR

## GENERAL SPECIFICATIONS

GENERAL SPECIFICATIONS	
PRESSURE	5,000 PSI WORKING
FLOW RATE	30 GPM AT 100 PSI DIFFERENTIAL.
MEDIA	PETROLEUM MINERAL BASE SAE 20. OTHER BASES MAY REQUIRE SEAL CHANGES.
CAVITY	5053-16-3
SEAL KIT	5452-BUNA OR 5452-VITON
LEAKAGE	INTERNAL-10 CUBIC INCHES/MIN., EXTERNAL-NONE.