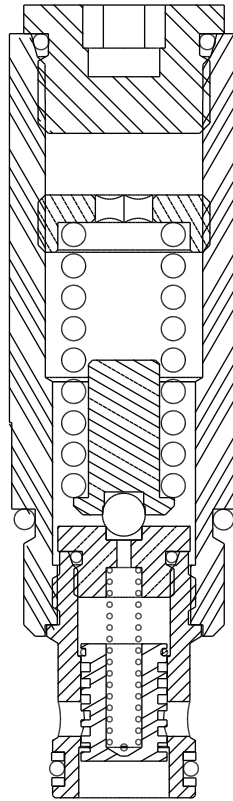
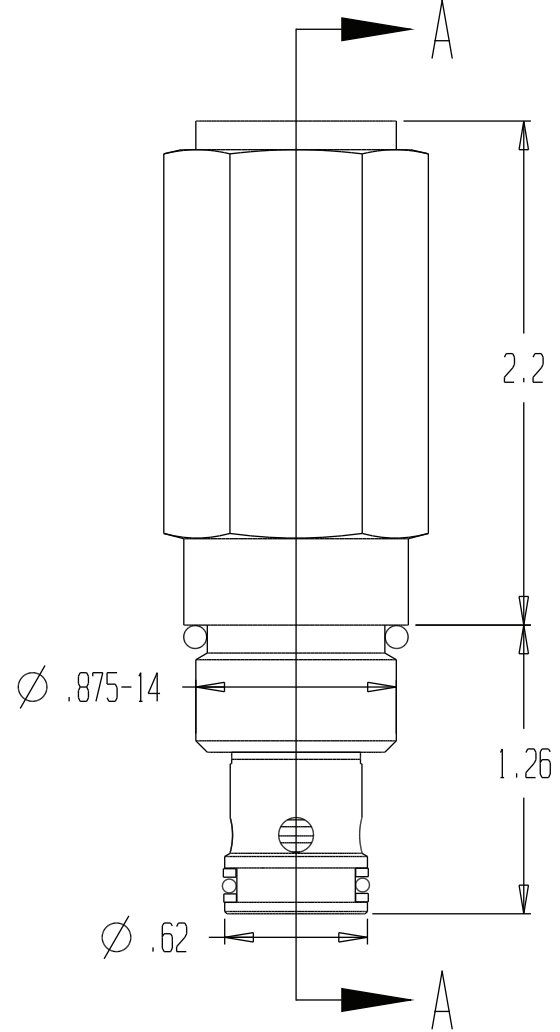


8202

SEQUENCE UNLOADING VALVE

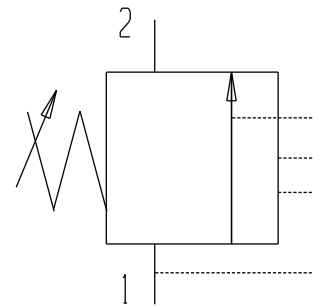


SECTION A-A



REF: CATALOG MODEL SEQU-10X-FX-XX-XX.

GENERAL SPECIFICATIONS	
PRESSURE	6,500 PSI WORKING
FLOW RATE	UP TO 15 GPM
MEDIA	PETROLEUM MINERAL BASE SAE 20. OTHER BASES MAY REQUIRE SEAL CHANGES.
CAVITY	2141-10-2
SEAL KIT	5070 (BUNA), 5072 (VITON)
LEAKAGE	INTERNAL-5 CUBIC INCHES/MIN., EXTERNAL-NONE.
CRACK PRESSURE	WHEN FLOW EXCEEDS 10 CUBIC INCHES/MIN..
FOR 250-450° F.	SPECIFY VITON WITH A (10V).



FUNCTIONAL SYMBOL