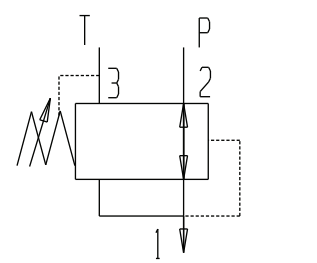
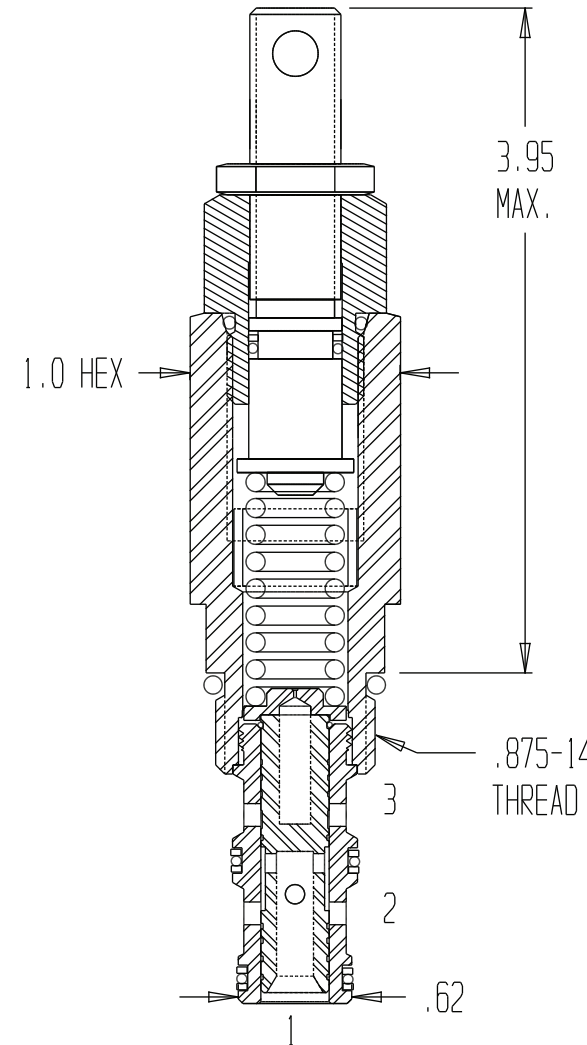


# PRDIR-10X-A-XX-XXXX

OMIT IF NO BODY.  
SEE BODY DRAWING FOR CODE.

06 = 100 - 600 PSI  
18 = 300 - 1800 PSI  
36 = 1000 - 3600 PSI

10 = BUNA 90 O-RING SEALS  
10V = VITON 90 O-RING SEALS  
10C = BUNA 90 O-RING SEALS WITH 2 BACK-UPS  
10CV = VITON 90 O-RING SEALS WITH 2 BACK-UPS



REDUCED PRESSURE  
FUNCTIONAL SYMBOL

THIS IS A DIRECT OPERATED PRESSURE REDUCING VALVE CARTRIDGE. IT IS EASILY ADJUSTED.

GENERAL SPECIFICATIONS	
PRESSURE	5,000 PSI WORKING
FLOW RATE	8 GPM
MEDIA	PETROLEUM MINERAL BASE SAE 20. OTHER BASES MAY REQUIRE SEAL CHANGES.
CAVITY	2141-10-3
SEAL KIT	5075 ( BUNA ), 5077 ( VITON )
LEAKAGE - MAX.	INTERNAL-10 CUBIC INCHES/MIN., EXTERNAL-NONE.
FOR 250-450° F.	SPECIFY VITON WITH A ( 10V ).