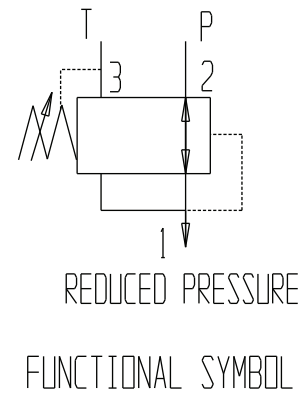
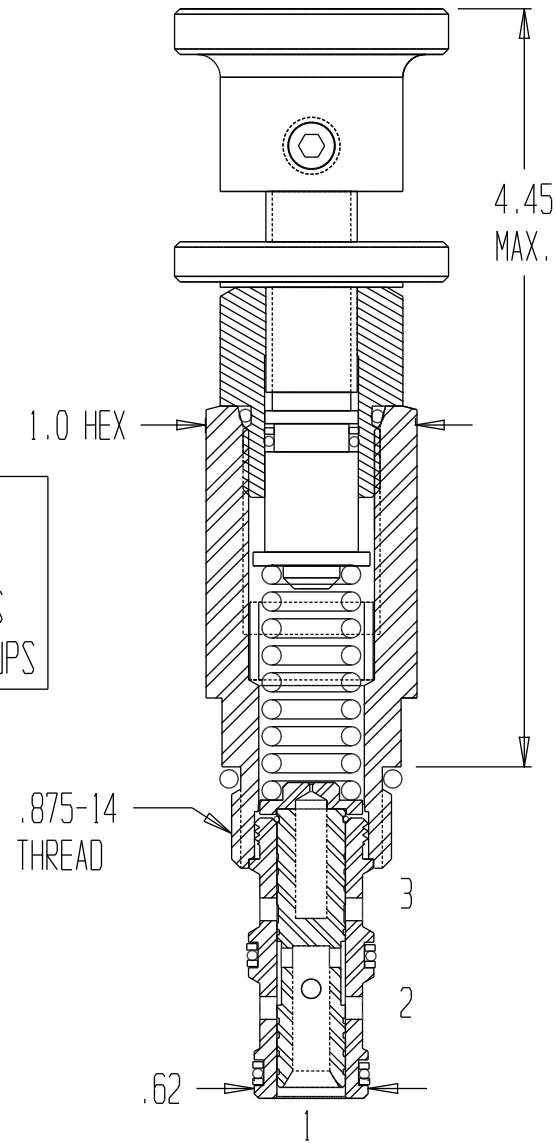


PRDIR-10X-K-XX-XXXX

OMIT IF NO BODY.
SEE BODY DRAWING FOR CODE.

06 = 100 - 600 PSI
18 = 300 - 1800 PSI
36 = 1000 - 3600 PSI

10 = BUNA 90 O-RING SEALS
10V = VITON 90 O-RING SEALS
10C = BUNA 90 O-RING SEALS WITH 2 BACK-UPS
10CV = VITON 90 O-RING SEALS WITH 2 BACK-UPS



THIS IS A DIRECT OPERATED PRESSURE REDUCING VALVE. IT HAS A KNOB AND LOCK NUT FOR EASY ADJUSTMENT.

GENERAL SPECIFICATIONS	
PRESSURE	5,000 PSI WORKING
FLOW RATE	8 GPM
MEDIA	PETROLEUM MINERAL BASE SAE 20. OTHER BASES MAY REQUIRE SEAL CHANGES.
CAVITY	2141-10-3
SEAL KIT	5075 (BUNA), 5077 (VITON)
LEAKAGE - MAX. FOR 250-450°F.	INTERNAL-10 CUBIC INCHES/MIN., EXTERNAL-NONE. SPECIFY VITON WITH A (10V).