

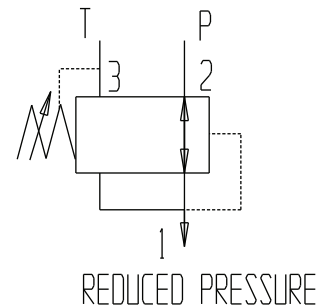
PRPIL-10X-K-XX-XXXX

OMIT IF NO BODY.
SEE BODY DRAWING FOR CODE.

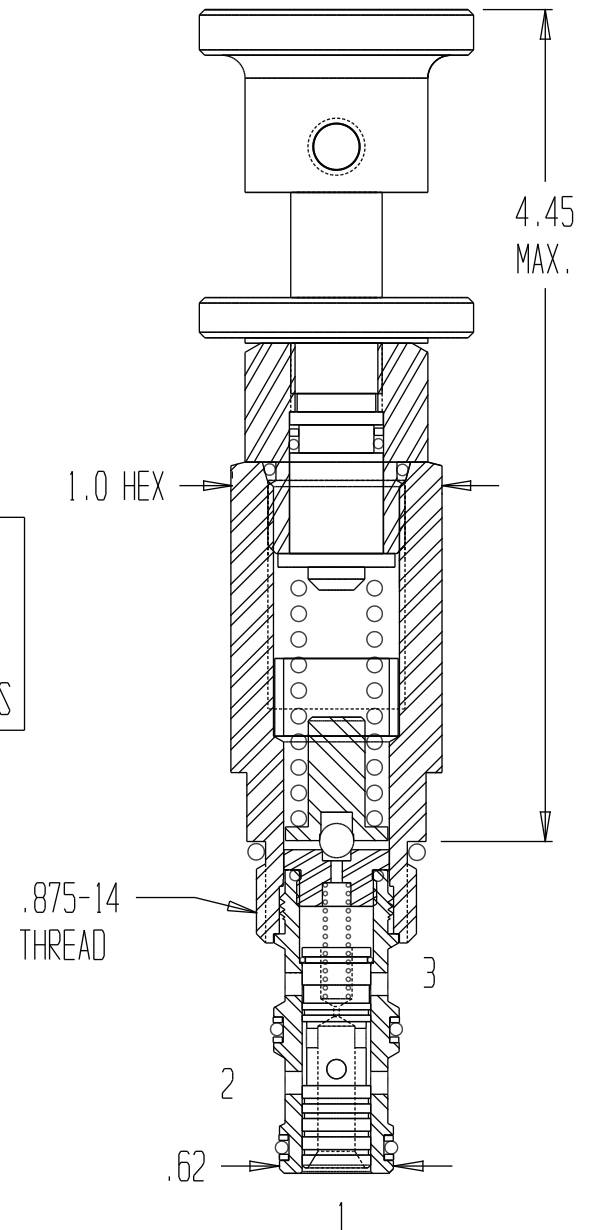
25 = 100 - 2500 PSI
45 = 500 - 4500 PSI

10 = Buna 90 O-RING SEALS
10V = VITON 90 O-RING SEALS
10C = Buna 90 O-RING SEALS WITH 2 BACK-UPS
10CV = VITON 90 O-RING SEALS WITH 2 BACK-UPS

	GENERAL SPECIFICATIONS
PRESSURE	5,000 PSI WORKING
FLOW RATE	8 GPM
MEDIA	PETROLEUM MINERAL BASE SAE 20. OTHER BASES MAY REQUIRE SEAL CHANGES.
CAVITY	2141-10-3
SEAL KIT	5075 (BUNA), 5077 (VITON)
LEAKAGE - MAX.	INTERNAL-10 CUBIC INCHES/MIN., EXTERNAL-NONE.
FOR 250-450° F.	SPECIFY VITON WITH A (10V).



FUNCTIONAL SYMBOL



THIS IS A PILOT OPERATED PRESSURE REDUCING VALVE. IT HAS A KNOB AND LOCK NUT FOR EASY ADJUSTMENT.