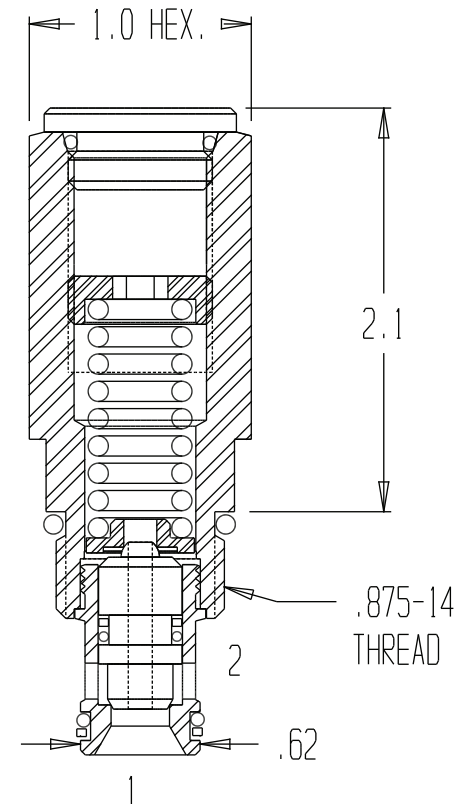
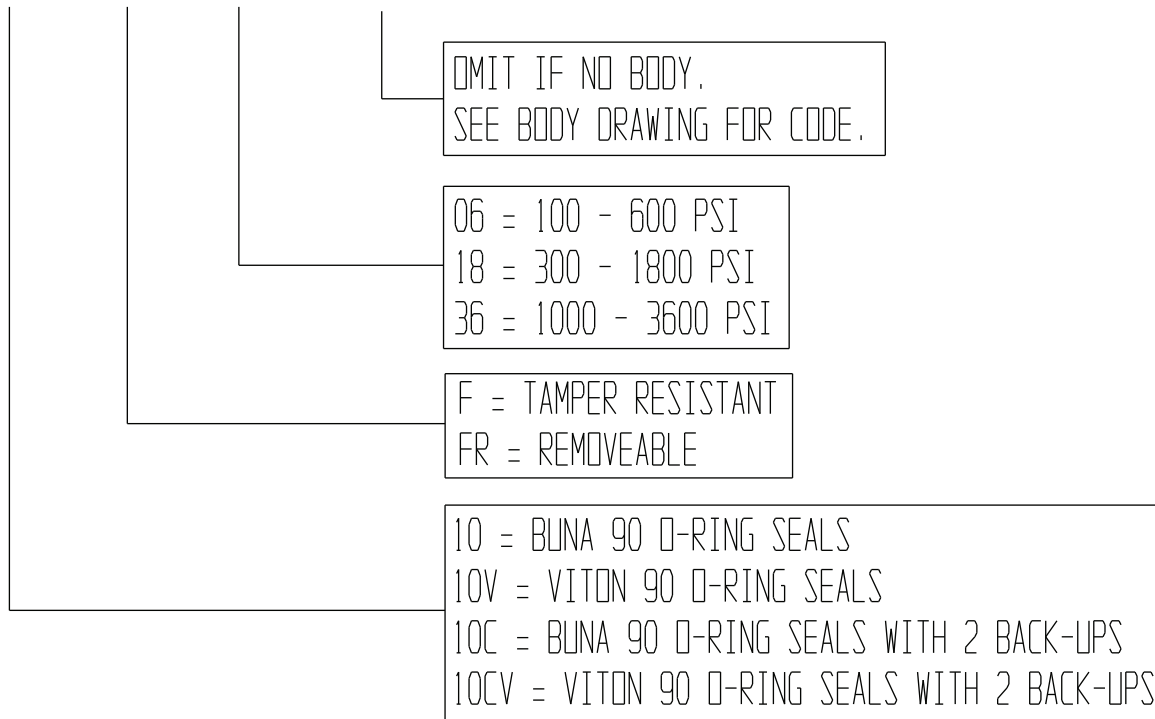
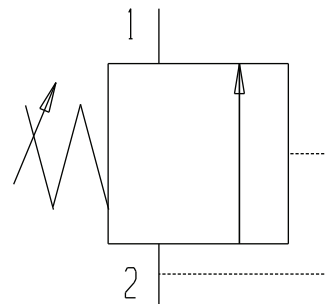


RDIF-10X-FX-XX-XXXX



GENERAL SPECIFICATIONS	
PRESSURE	5,000 PSI WORKING
FLOW RATE	20 GPM
MEDIA	PETROLEUM MINERAL BASE SAE 20. OTHER BASES MAY REQUIRE SEAL CHANGES.
CAVITY	2141-10-2
SEAL KIT	5070 (BUNA), 5072 (VITON)
LEAKAGE - MAX.	INTERNAL- 5 DROPS/MIN., EXTERNAL-NONE.
CRACK PRESSURE	WHEN DROPS BECOME A STREAM.
FOR 250-450° F.	SPECIFY VITON WITH A (10V).



FUNCTIONAL SYMBOL

THIS IS A FACTORY SET DIFFERENTIAL AREA RELIEF VALVE CARTRIDGE. IT WILL NOT ALLOW FLOW IN THE REVERSE DIRECTION.