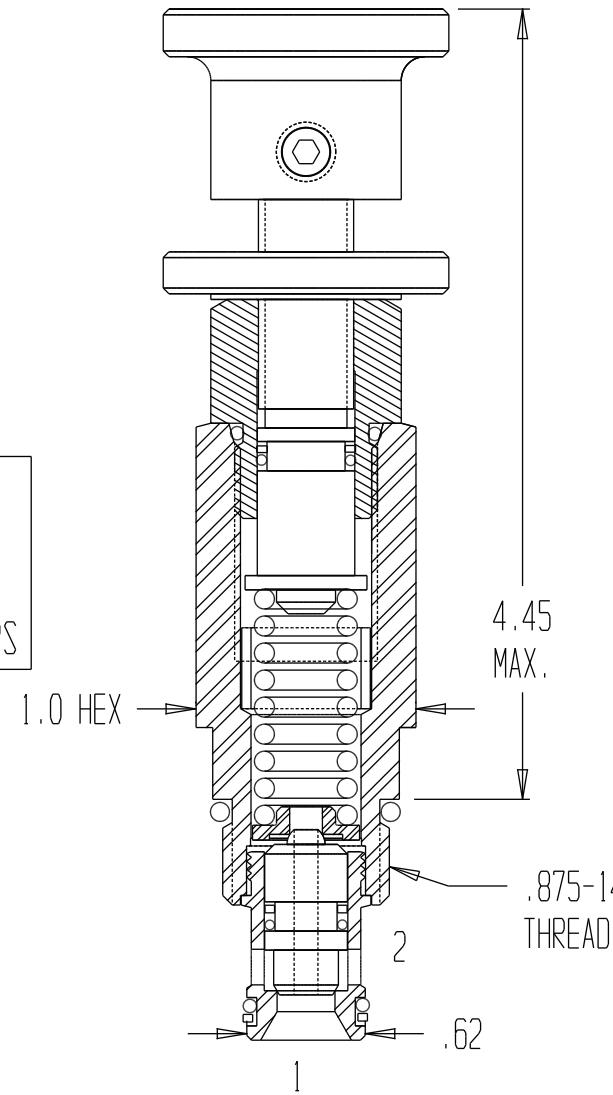


RDIF-10X-K-XX-XXXX

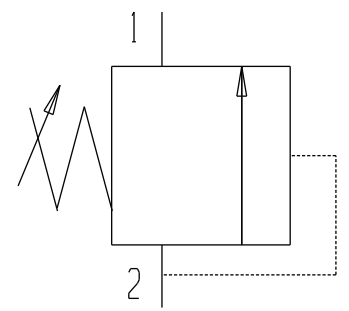
OMIT IF NO BODY.
SEE BODY DRAWING FOR CODE.

06 = 100 - 600 PSI
18 = 300 - 1800 PSI
36 = 1000 - 3600 PSI

10 = BUNA 90 O-RING SEALS
10V = VITON 90 O-RING SEALS
10C = BUNA 90 O-RING SEALS WITH 2 BACK-UPS
10CV = VITON 90 O-RING SEALS WITH 2 BACK-UPS



GENERAL SPECIFICATIONS	
PRESSURE	5,000 PSI WORKING
FLOW RATE	20 GPM
MEDIA	PETROLEUM MINERAL BASE SAE 20. OTHER BASES MAY REQUIRE SEAL CHANGES.
CAVITY	2141-10-2
SEAL KIT	5070 (BUNA), 5072 (VITON)
LEAKAGE - MAX.	INTERNAL- 5 DROPS/MIN., EXTERNAL-NONE.
CRACK PRESSURE	WHEN DROPS BECOME A STREAM.
FOR 250-450° F.	SPECIFY VITON WITH A (10V).



FUNCTIONAL SYMBOL

THIS IS A DIFFERENTIAL AREA RELIEF VALVE CARTRIDGE. IT HAS A KNOB AND LOCK NUT FOR EASY ADJUSTMENT AND WILL NOT ALLOW FLOW IN THE REVERSE DIRECTION.