

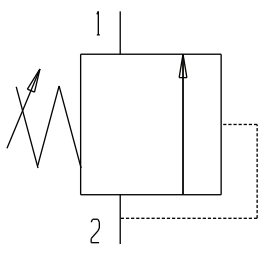
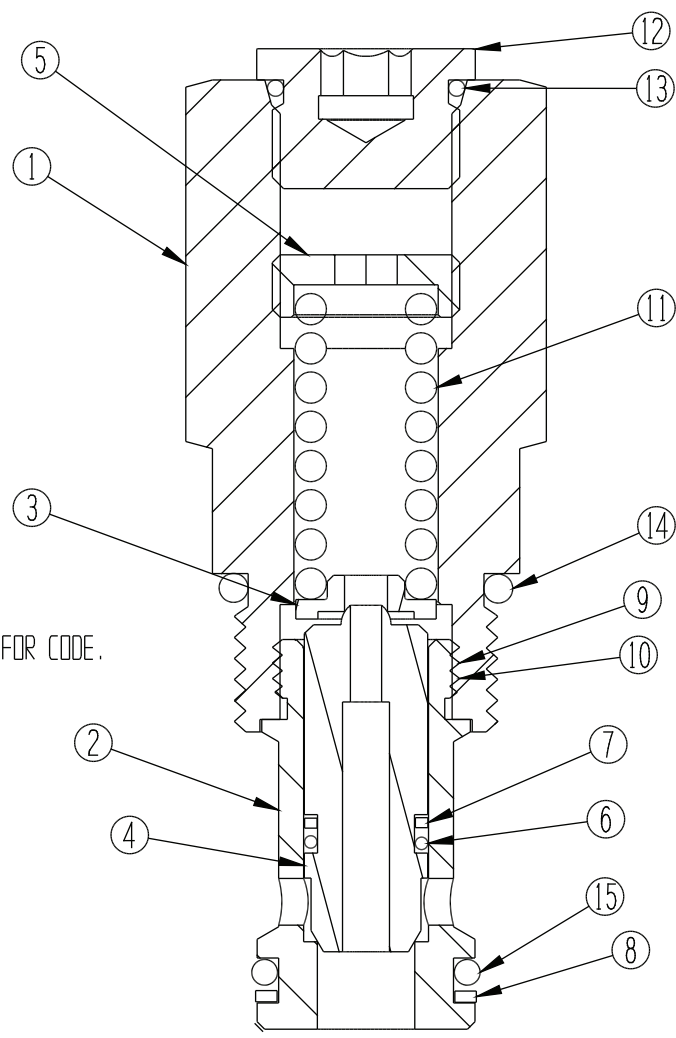
ITEM NUMBER	QUANTITY	PART NUMBER	DESCRIPTION
1	1	5926	HOUSING
2	1	5983	CAGE
3	1	1537	CAP
4	1	5990	POPPET, DIF. AREA
5	1	1365	SCREW
6	1	1518-012	O-RING, VITON 75 DURO.
7	1	1089-012	BACK-UP
8	1	1089-115	BACK-UP
9	2 DROPS	5121	SEALANT-CAGE OD THREADS-262
10	1 SPRAY	5122	PRIMER-ON HSING I.D. THREADS

SELECT SPRING FOR MAXIMUM RELIEF PRESSURE:			
MODEL CODE	PART NO.	RANGE	
06	1442	100 - 600 PSI	
18	1367	300 - 1,800 PSI	
36	1535	1,000 - 3,600 PSI	
12	1	PLUG - FOR TAMPER RESISTANT OR REMOVABLE	
MODEL CODE	PART NO.	SERVICE TYPE	
F	1366	TAMPER RESISTANT	
FR	1132-08	REMOVABLE	

MODEL CODE "10" BUNA 90 O-RING SEALS			
13	1	1402-908	O-RING
14	1	1402-912	O-RING
15	1	1100-115	O-RING
OR: MODEL CODE "10V" VITON 90 O-RING SEALS			
13	1	1519-908	O-RING
14	1	1519-912	O-RING
15	1	1570-115	O-RING

RDIF-12X-FX-XX-XX

OMIT IF NO BODY.
SEE BODY DRAWING FOR CODE.



FUNCTIONAL SYMBOL

GENERAL SPECIFICATIONS	
PRESSURE	5,000 PSI WORKING
FLOW RATE	30 GPM
MEDIA	PETROLEUM MINERAL BASE SAE 20. OTHER BASES MAY REQUIRE SEAL CHANGES.
CAVITY	SHOEMAKER 12-2
SEAL KIT	
LEAKAGE	INTERNAL-5 DROPS/MIN., EXTERNAL-NONE.
CRACK PRESSURE	WHEN DROPS BECOME A STREAM.
FOR 250-450° F.	SPECIFY VITON WITH A (12V).