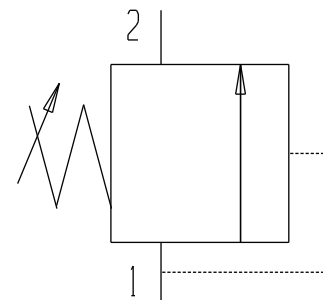
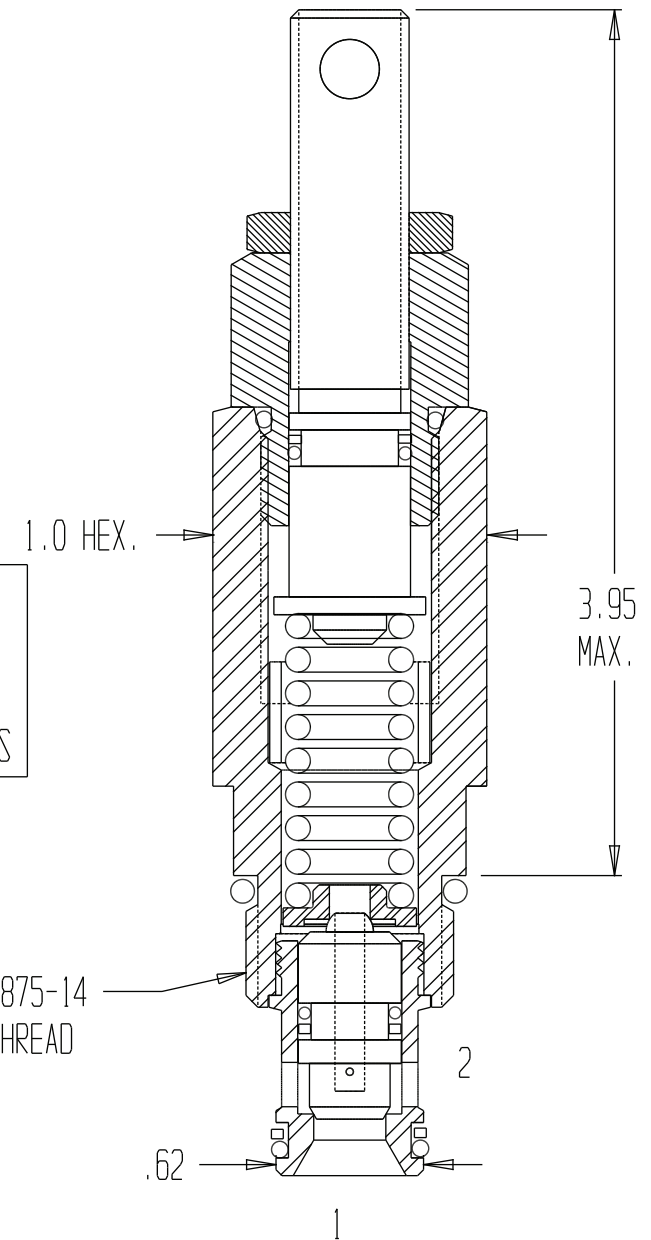
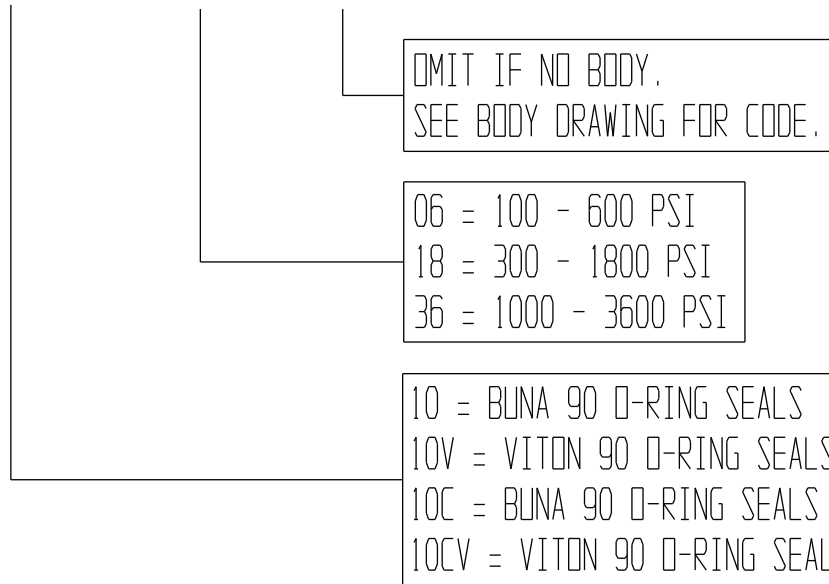


RDIR-10X-A-XX-XXXX



FUNCTIONAL SYMBOL

THIS IS A DIRECT OPERATED RELIEF VALVE CARTRIDGE. IT IS EASILY ADJUSTABLE AND WILL NOT ALLOW FLOW IN THE REVERSE DIRECTION.

GENERAL SPECIFICATIONS	
PRESSURE	5,000 PSI WORKING
FLOW RATE	15 GPM
MEDIA	PETROLEUM MINERAL BASE SAE 20. OTHER BASES MAY REQUIRE SEAL CHANGES.
CAVITY	2141-10-2
SEAL KIT	5070 (BUNA), 5072 (VITON)
LEAKAGE - MAX.	INTERNAL-5 DROPS/MIN., EXTERNAL-NONE.
CRACK PRESSURE	WHEN DROPS BECOME A STREAM.
FOR 250-450° F.	SPECIFY VITON WITH A (10V).