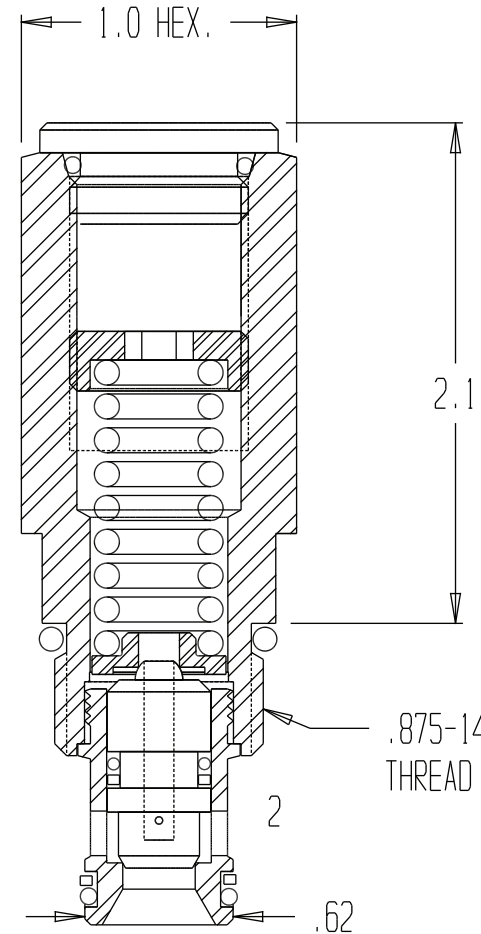
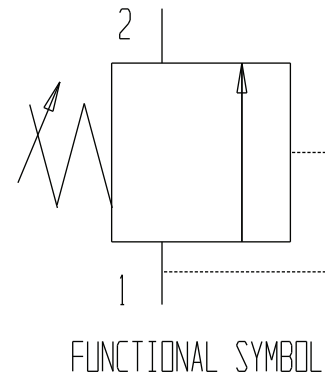


RDIR-10X-FX-XX-XXXX

OMIT IF NO BODY.
SEE BODY DRAWING FOR CODE.
06 = 100 - 600 PSI
18 = 300 - 1800 PSI
36 = 1000 - 3600 PSI
F = TAMPER RESISTANT
FR = REMOVEABLE
10 = Buna 90 O-RING SEALS
10V = VITON 90 O-RING SEALS
10C = Buna 90 O-RING SEALS WITH 2 BACK-UPS
10CV = VITON 90 O-RING SEALS WITH 2 BACK-UPS



GENERAL SPECIFICATIONS	
PRESSURE	5,000 PSI WORKING
FLOW RATE	15 GPM
MEDIA	PETROLEUM MINERAL BASE SAE 20. OTHER BASES MAY REQUIRE SEAL CHANGES.
CAVITY	2141-10-2
SEAL KIT	5070 (BUNA), 5072 (VITON)
LEAKAGE - MAX.	INTERNAL-5 DROPS/MIN., EXTERNAL-NONE.
CRACK PRESSURE	WHEN DROPS BECOME A STREAM.
FOR 250-450°F.	SPECIFY VITON WITH A (10V).



THIS IS A FACTORY SET DIRECT OPERATED RELIEF VALVE CARTRIDGE. IT WILL NOT ALLOW FLOW IN THE REVERSE DIRECTION.