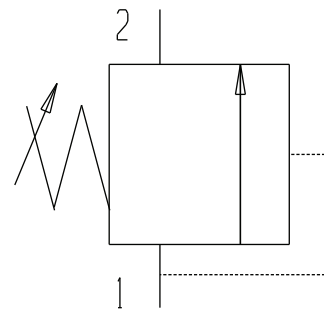
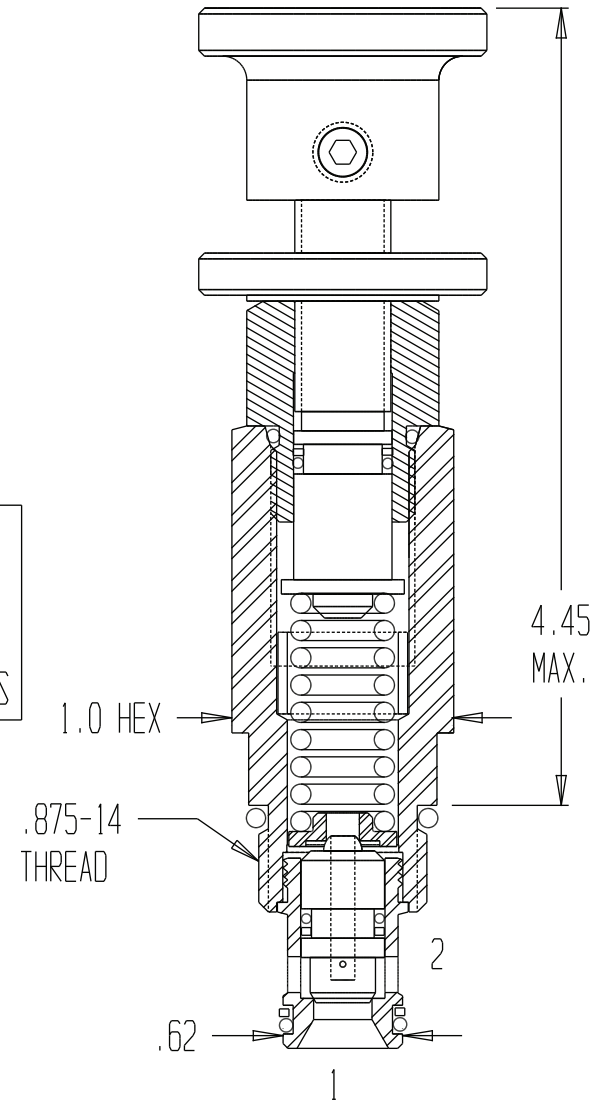


RDIR-10X-K-XX-XXXX

OMIT IF NO BODY.
SEE BODY DRAWING FOR CODE.

06 = 100 - 600 PSI
18 = 300 - 1800 PSI
36 = 1000 - 3600 PSI

10 = BUNA 90 O-RING SEALS
10V = VITON 90 O-RING SEALS
10C = BUNA 90 O-RING SEALS WITH 2 BACK-UPS
10CV = VITON 90 O-RING SEALS WITH 2 BACK-UPS



FUNCTIONAL SYMBOL

THIS IS A DIRECT OPERATED RELIEF VALVE CARTRIDGE. IT HAS A KNOB AND LOCK NUT FOR EASY ADJUSTMENT AND WILL NOT ALLOW FLOW IN THE REVERSE DIRECTION.

GENERAL SPECIFICATIONS	
PRESSURE	5,000 PSI WORKING
FLOW RATE	15 GPM
MEDIA	PETROLEUM MINERAL BASE SAE 20. OTHER BASES MAY REQUIRE SEAL CHANGES.
CAVITY	2141-10-2
SEAL KIT	5070 (BUNA), 5072 (VITON)
LEAKAGE - MAX.	INTERNAL-5 DROPS/MIN., EXTERNAL-NONE.
CRACK PRESSURE	WHEN DROPS BECOME A STREAM.
FOR 250-450°F.	SPECIFY VITON WITH A (10V).