

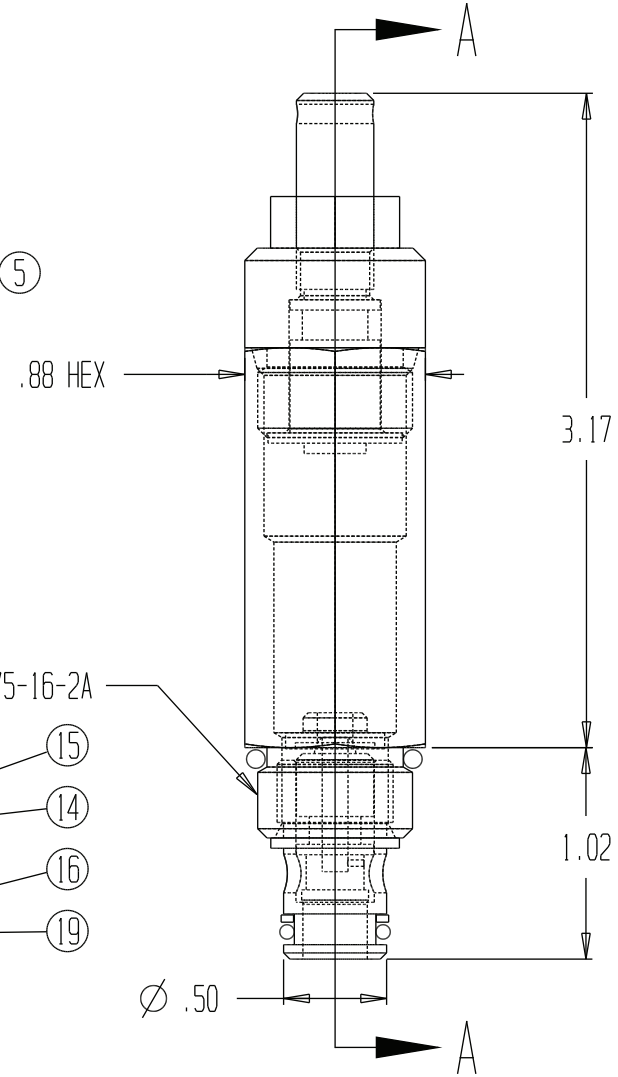
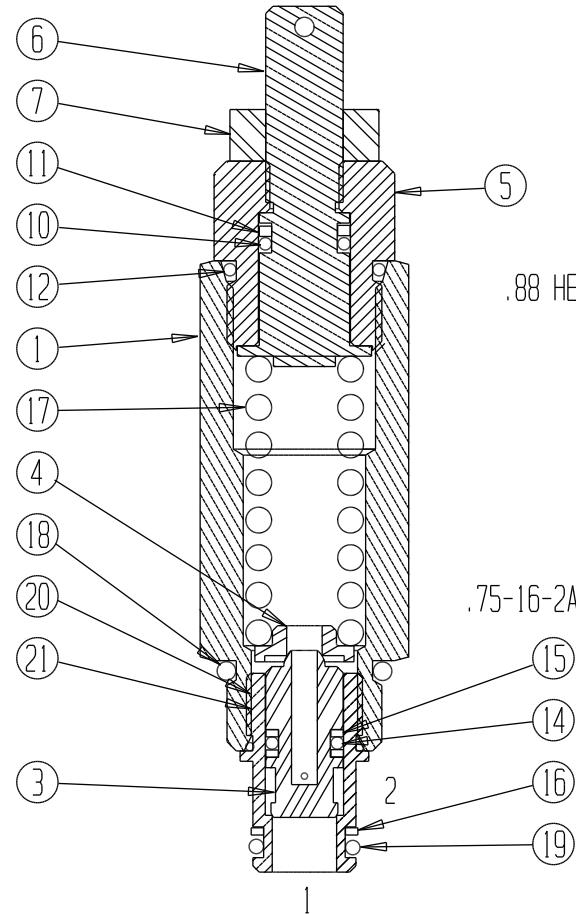
ITEM	QUANTITY	PART NUMBER	DESCRIPTION	
1	1	5638	HOUSING	
2	1	5201	CAGE	
3	1	5634	POPPET	
4	1	5630	CAP	
5	1	5633	CAP, ADJUSTING	
6	1	5635	SCREW, ADJUSTING	
7	1	1440-.375-24	NUT, HEX JAM GRADE 5+, ZN-DI	
8				
9				
10	1	1570-011	O-RING, VITON 92	
11	1	1089-011	BACK-UP RING, TEFLON	
12	1	1519-908	O-RING, VITON 92	
14	1	1570-010	O-RING, VITON 92	
15	2	1221-010	BACK-UP, 1/2 WIDTH TEFLON	
16	2	1089-012	BACK-UP, TEFLON	
17	1	SELECT SPRING FOR MAXIMUM PRESSURE:		
		MODEL CODE	PART NO.	RANGE
		06	1442	100 - 600 PSI
		18	1367	300 - 1,800 PSI
		36	1535	1,000 - 3,600 PSI
		MODEL CODE "08" BUNA 90 O-RING SEALS		
18	1	1402-908	O-RING	
19	1	1100-012	O-RING	
OR:		MODEL CODE "08V" VITON 90 O-RING SEALS		
18	1	1519-908	O-RING	
19	1	1570-012	O-RING	

ITEM	QTY	PT. NO.	DESCRIPTION
20	1 SPRAY	5122	PRIMER- I.D. THRS
21	1 DROP	5121	SEALANT-262

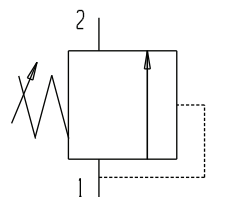
RD1R-08X-A-XX-XX  
ADJUSTABLE DIRECT OPERATED RELIEF CARTRIDGE

ADJUSTABLE

OMIT IF NO BODY IS REQUIRED



GENERAL SPECIFICATIONS	
PRESSURE	5,000 PSI WORKING
FLOW RATE	08 GPM AT 100 PSI DIFFERENTIAL.
MEDIA	PETROLEUM MINERAL BASE SAE 20. OTHER BASES MAY REQUIRE SEAL CHANGES.
CAVITY	2097-84-2
SEAL KIT	(5641-BUNA), (5642-VITON)
LEAKAGE	INTERNAL-5 CUBIC INCHES/MIN., EXTERNAL-NONE.



FUNCTION SYMBOL