

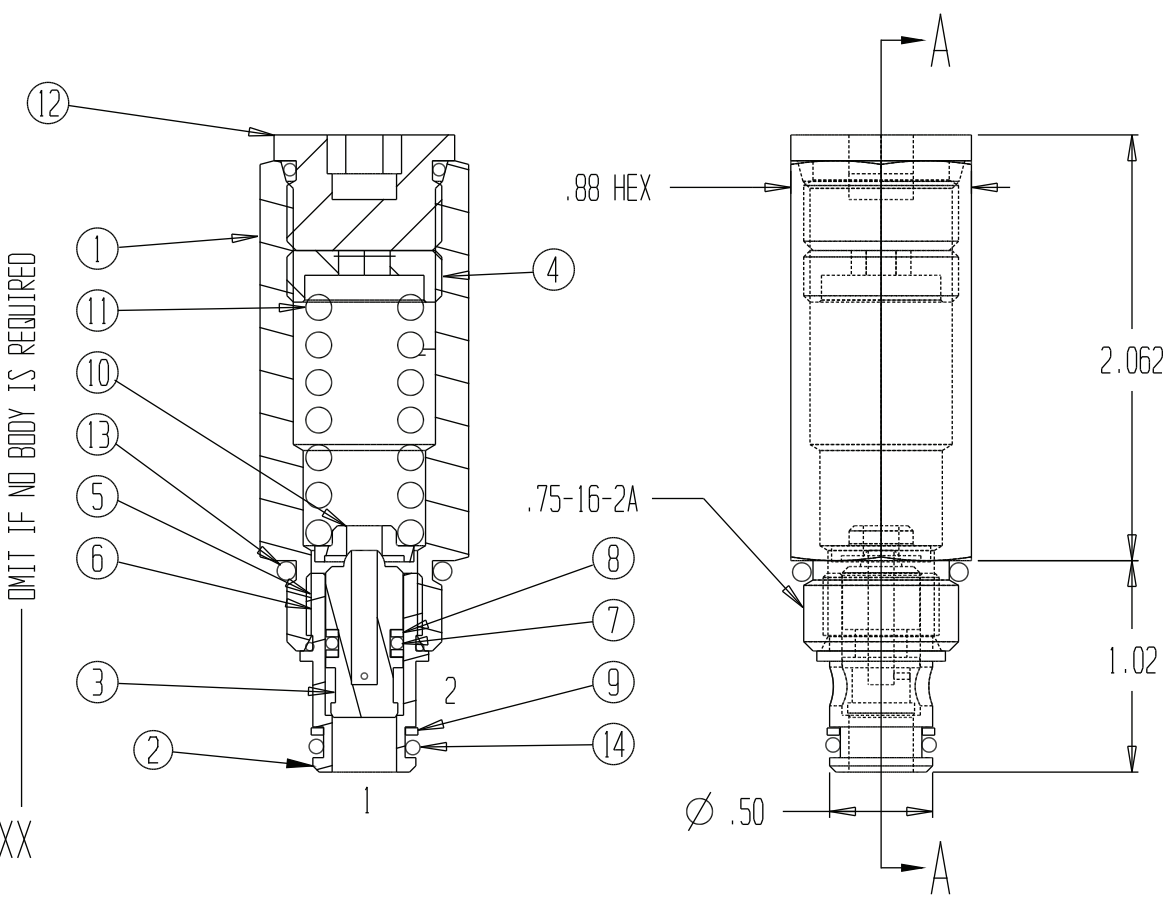
ITEM	QUANTITY	PART NUMBER	DESCRIPTION
1	1	5638	HOUSING
2	1	5201	CAGE
3	1	5634	POPPET
4	1	1365	SCREW
5	1 SPRAY	5122	PRIMER- I.D. THRDS
6	1 DROP	5121	SEALANT-262
7	1	1570-010	O-RING, VITON 92
8	2	1221-010	BACK-UP, 1/2 WIDTH TEFLON
9	1	1089-012	BACK-UP, TEFLON
10	1	5630	CAP

11 1 SELECT SPRING FOR MAXIMUM PRESSURE:			
MODEL CODE	PART NO.	RANGE	
06	5087	100 - 600 PSI	
12	5088	200 - 1,200 PSI	
16	1367	1,100 - 1,600 PSI	

12 1 SELECT PLUG			
MODEL CODE	PART NO.	RANGE	
F	1366	TAMPER RESISTANT	
FR	1132-08	REMOVABLE	

MODEL CODE "08" BUNA 90 O-RING SEALS			
13	1	1402-908	O-RING
14	1	1100-012	O-RING
OR: MODEL CODE "08V" VITON 90 O-RING SEALS			
13	1	1519-908	O-RING
14	1	1570-012	O-RING

RDIR-08X-FX-XX-XX



OMIT IF NO BODY IS REQUIRED

GENERAL SPECIFICATIONS	
PRESSURE	5,000 PSI WORKING
FLOW RATE	08 GPM AT 100 PSI DIFFERENTIAL.
MEDIA	PETROLEUM MINERAL BASE SAE 20. OTHER BASES MAY REQUIRE SEAL CHANGES.
CAVITY	2097-84-2
SEAL KIT	(5641-BUNA), (5642-VITON)
LEAKAGE	INTERNAL-5 CUBIC INCHES/MIN., EXTERNAL-NONE.

