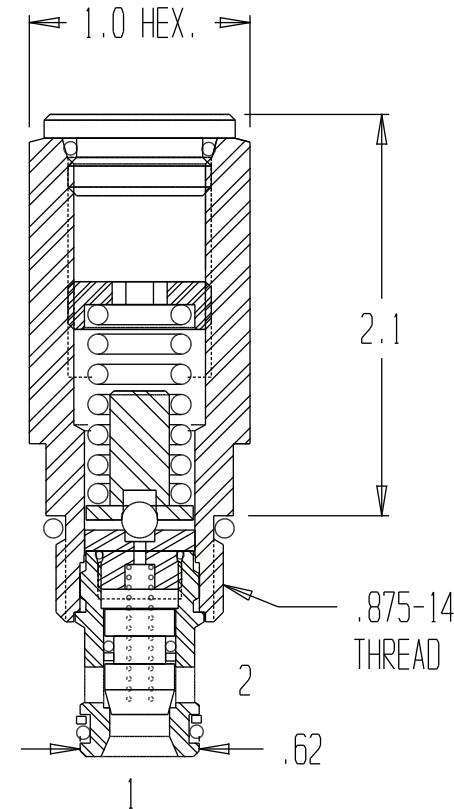
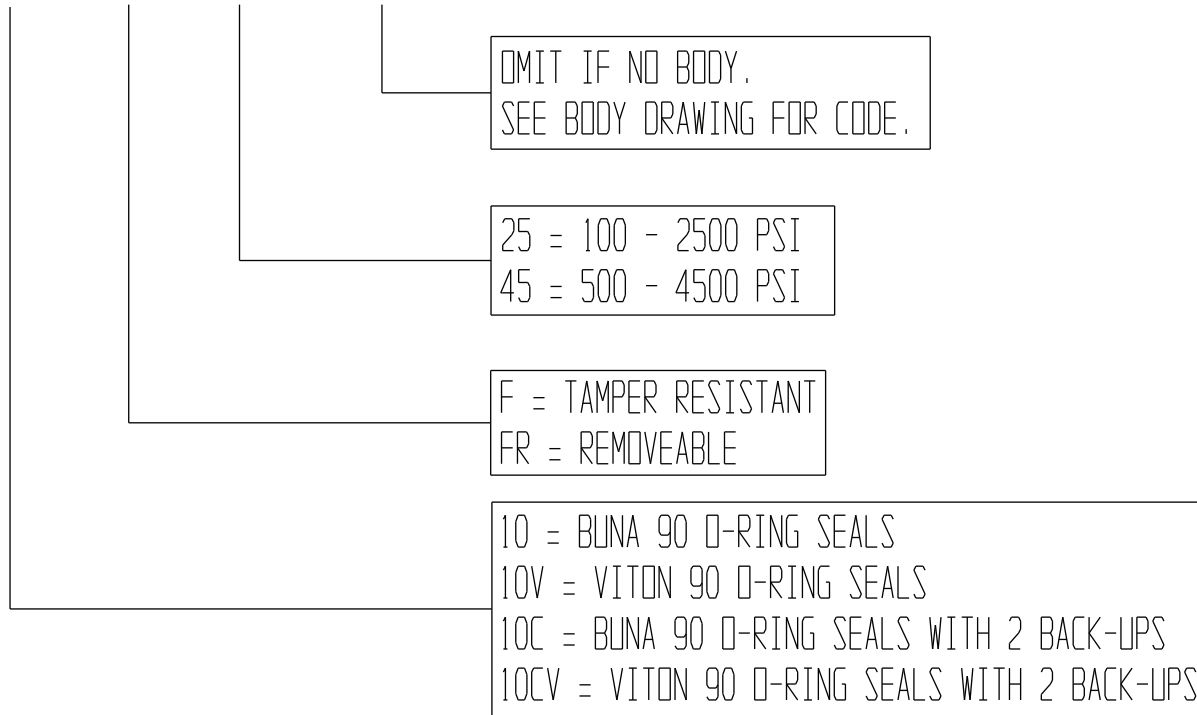
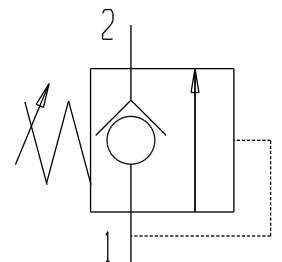


# RPILP-10X-FX-XX-XXXX



GENERAL SPECIFICATIONS	
PRESSURE	5,000 PSI WORKING
FLOW RATE	UP TO 30 GPM
MEDIA	PETROLEUM MINERAL BASE SAE 20. OTHER BASES MAY REQUIRE SEAL CHANGES.
CAVITY	2141-10-2
SEAL KIT	5070 (BUNA), 5072 (VITON)
LEAKAGE - MAX.	INTERNAL-5 DROPS/MIN., EXTERNAL-NONE.
CRACK PRESSURE FOR 250-450°F.	WHEN DROPS BECOME A STREAM. SPECIFY VITON WITH A (10V).



FUNCTIONAL SYMBOL

THIS IS A FACTORY SET PILOT OPERATED RELIEF VALVE. THIS POPPET STYLE RELIEF VALVE HAS LOW, FULL FLOW RESTRICTION AND ALLOWS REVERSE FLOW.