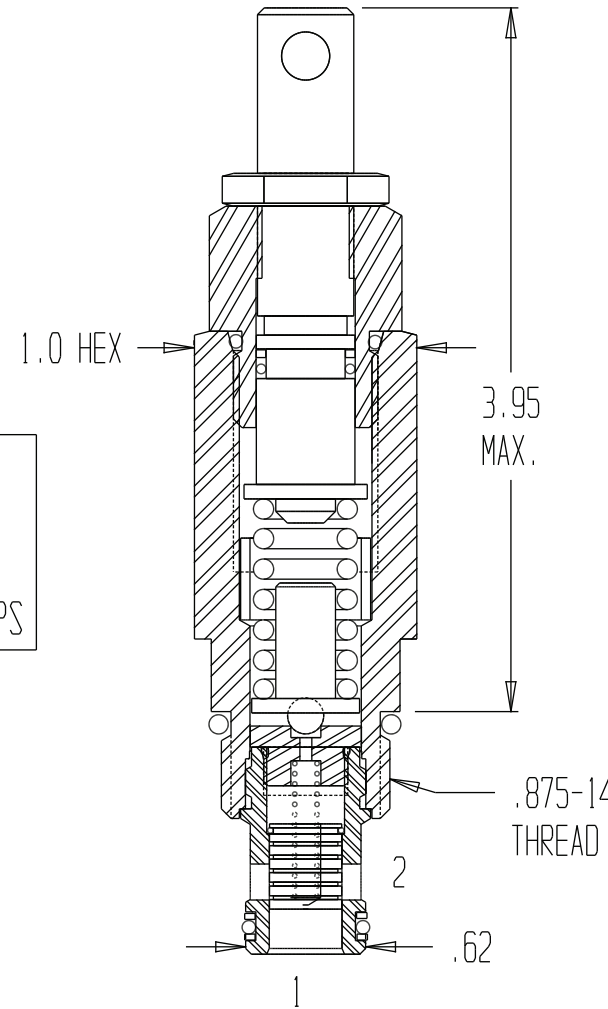


# RPILS-10X-A-XX-XXXX

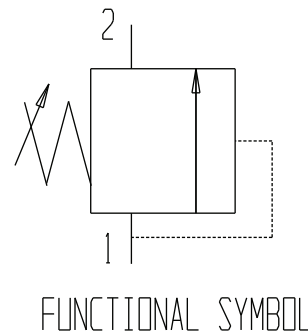
OMIT IF NO BODY.  
SEE BODY DRAWING FOR CODE.

25 = 100 - 2500 PSI  
45 = 500 - 4500 PSI

10 = Buna 90 O-RING SEALS  
10V = VITON 90 O-RING SEALS  
10C = Buna 90 O-RING SEALS WITH 2 BACK-UPS  
10CV = VITON 90 O-RING SEALS WITH 2 BACK-UPS



| GENERAL SPECIFICATIONS |   |
|------------------------|---|
| PRESSURE               | 5,000 PSI WORKING   |
| FLOW RATE              | UP TO 30 GPM  |
| MEDIA                  | PETROLEUM MINERAL BASE SAE 20.<br>OTHER BASES MAY REQUIRE SEAL CHANGES. |
| CAVITY                 | 2141-10-2   |
| SEAL KIT               | 5070 (BUNA), 5072 (VITON)   |
| LEAKAGE - MAX.         | INTERNAL- 5 CUBIC INCHES/MIN., EXTERNAL-NONE.                           |
| CRACK PRESSURE         | WHEN FLOW EXCEEDS 10 CUBIC INCHES/MIN.                                  |
| FOR 250-450° F.        | SPECIFY VITON WITH A (10V).   |



PILOT OPERATED, SPOOL TYPE RELIEF VALVE CARTRIDGE. FOR HIGH FLOW CAPACITY WITHOUT GREAT SETTING DIFFERENTIAL FROM LOW TO HIGH FLOW. THIS STYLE IS FIELD ADJUSTABLE WITH A LOCK NUT.