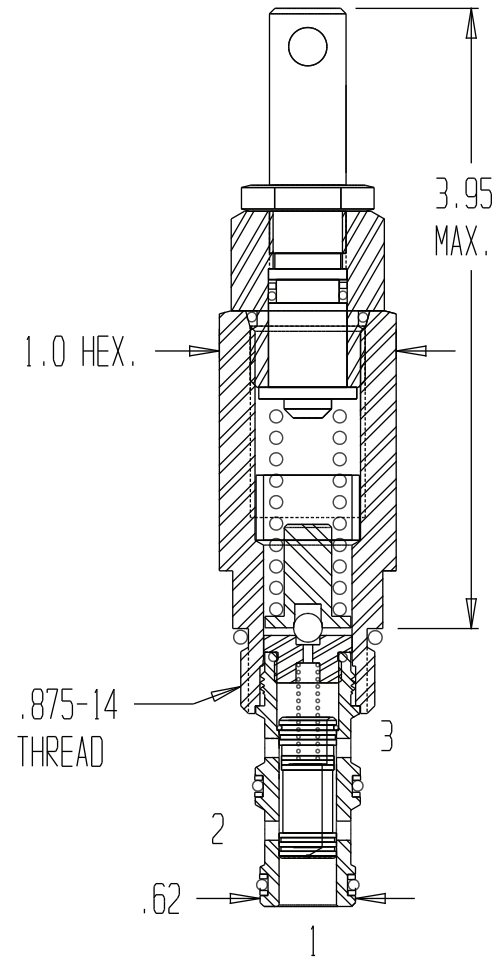


SEQ1-10X-A-XX-XXXX

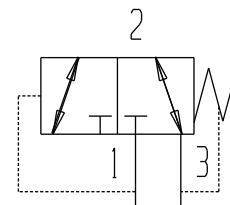
OMIT IF NO BODY.  
SEE BODY DRAWING FOR CODE.

25 = 100 - 2500 PSI  
45 = 500 - 4500 PSI

10 = BUNA 90 O-RING SEALS  
10V = VITON 90 O-RING SEALS  
10C = BUNA 90 O-RING SEALS WITH 2 BACK-UPS  
10CV = VITON 90 O-RING SEALS WITH 2 BACK-UPS



GENERAL SPECIFICATIONS	
PRESSURE	5,000 PSI WORKING
FLOW RATE	8 GPM
MEDIA	PETROLEUM MINERAL BASE SAE 20. OTHER BASES MAY REQUIRE SEAL CHANGES.
CAVITY	2141-10-3
SEAL KIT	5075 ( BUNA ), 5077 ( VITON )
LEAKAGE - MAX.	INTERNAL-10 CUBIC INCHES/MIN., EXTERNAL-NONE.
FOR 250-450°F.	SPECIFY VITON WITH A (10V).



FUNCTIONAL SYMBOL

SEQUENCE CARTRIDGE VALVE  
SYSTEM FLUID ENTERING 1 WILL PASS THROUGH 2 WHEN THE SET PRESSURE IS ATTAINED. THIS PATH WILL REMAIN OPEN UNTIL FLOW FROM 1 TO 2 CEASES OR ATTEMPTS TO REVERSE. FLOW IS PERMISSABLE FROM 2 TO 3 OR 3 TO 2 IN NORMAL CONDITION.