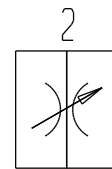
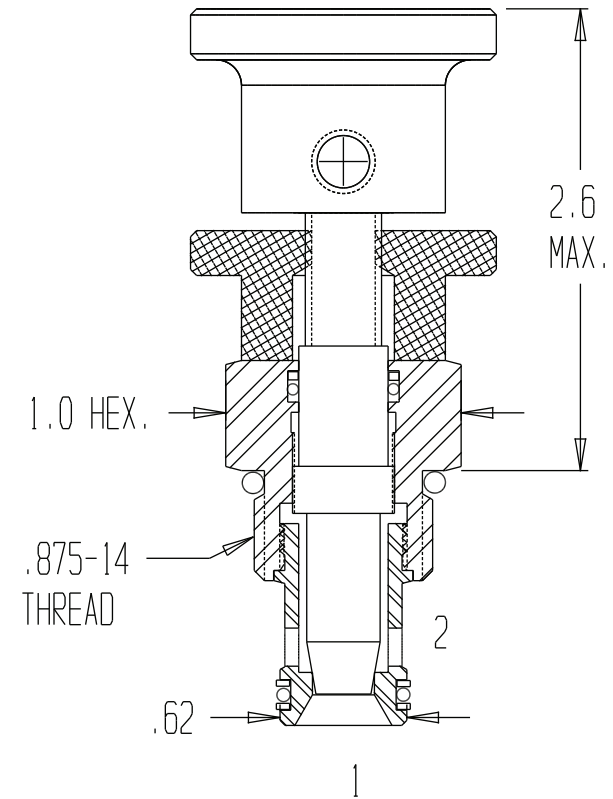


# NFC-10X-K-XXXX

OMIT IF NO BODY.  
SEE BODY DRAWING FOR CODE.

10 = BUNA 90 O-RING SEALS  
 10V = VITON 90 O-RING SEALS  
 10C = BUNA 90 O-RING SEALS WITH 2 BACK-UPS  
 10CV = VITON 90 O-RING SEALS WITH 2 BACK-UPS



1  
FUNCTIONAL SYMBOL

NEEDLE VALVE, BI-DIRECTIONAL

GENERAL SPECIFICATIONS	
PRESSURE	5,000 PSI WORKING
FLOW RATE	12 GPM AT 100 PSI DIFFERENTIAL.
MEDIA	PETROLEUM MINERAL BASE SAE 20. OTHER BASES MAY REQUIRE SEAL CHANGES.
CAVITY	2141-10-2
SEAL KIT	5070 (BUNA-90), 5072 (VITON-90)
LEAKAGE - MAX.	INTERNAL- 5 DROPS/MIN., EXTERNAL- NONE