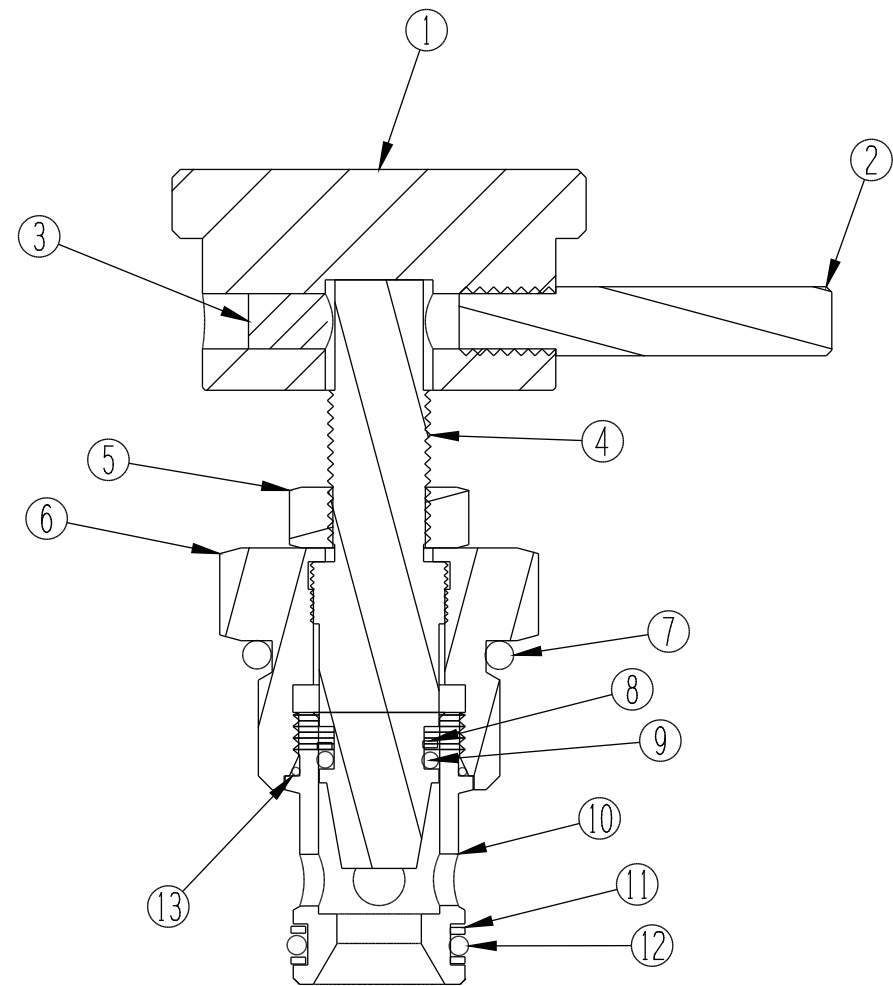


ITEM	QUANTITY	PART NUMBER	DESCRIPTION
1	1	5957	KNOB
2	1	5958	PIN
3	1	1209	.25-20 SET SCREW
4	1	5959	NEEDLE
5	1	1440-.375-24	NUT, GRADE 5+,ZN-DICHROMATE
6	1	5960	NUT
7	1	1402-910	O-RING
8	1	1089-011	BACK-UP
9	1	1518-011	O-RING VITON 75 DURO
10	1	5256	CAGE
11	2	1221-014	BACK-UP, 1/2 THK
12	1	1100-014	O-RING, BUNA N 90 DURO
13	1	5962	O-RING, BUNA N 90 DURO



NFC4-10

SHORT 10 SERIES NEEDLE FLOW CONTROL

GENERAL SPECIFICATIONS	
PRESSURE	5,000 PSI WORKING
FLOW RATE	12 GPM AT 100 PSI DIFFERENTIAL.
MEDIA	PETROLEUM MINERAL BASE SAE 20. OTHER BASES MAY REQUIRE SEAL CHANGES.
CAVITY	2141-10-2
SEAL KIT	5070 (BUNA-90), 5072 (VITON-90)
LEAKAGE	INTERNAL- 5 DROPS/MIN., EXTERNAL- NONE