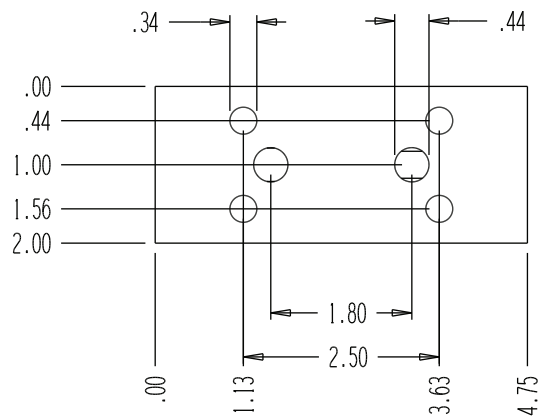
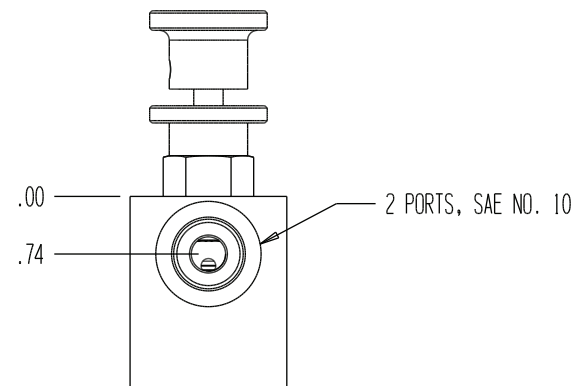
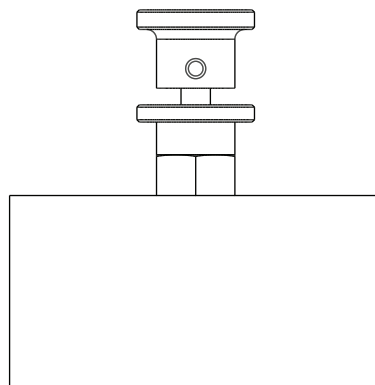
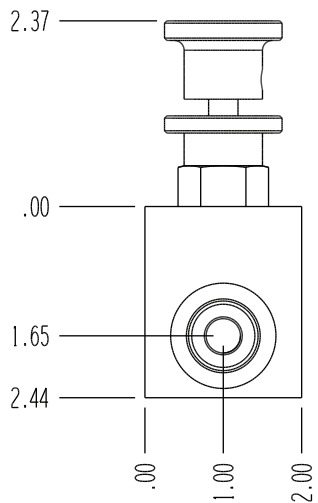
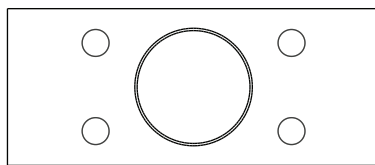


ITEM	QUANTITY	PART NUMBER	DESCRIPTION
1	1	5929	BODY
2	1	NFC-10V-K	CARTRIDGE, 10 SERIES FLOW CONTROL
3	2	1219-10	PLUG, VINYL



8274