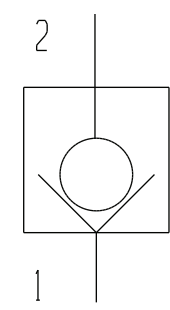
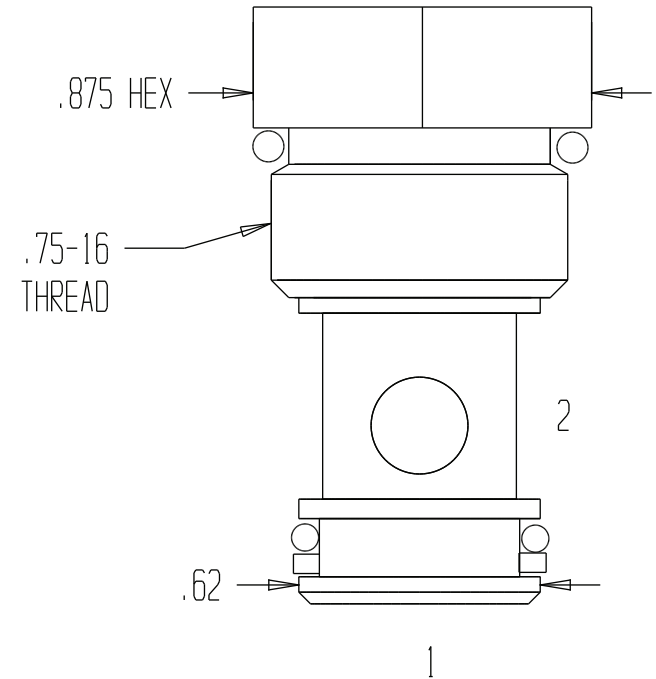


8024 CHECK CARTRIDGE VALVE



FUNCTIONAL SYMBOL

THIS IS A POPPET STYLE CHECK CARTRIDGE. WHEN IT IS OPENED WITH A PILOT PISTON, IT HAS A 30:1 RATIO OF SYSTEM TO PILOT PRESSURE.

| GENERAL SPECIFICATIONS | |
|------------------------|---|
| PRESSURE | 5,000 PSI WORKING |
| FLOW RATE | 10 GPM |
| MEDIA | PETROLEUM MINERAL BASE SAE 20. OTHER BASES MAY REQUIRE SEAL CHANGES. |
| CAVITY | 2097-085-2 |
| SEAL KIT | 1198 |
| LEAKAGE - MAX. | INTERNAL - 5 DROPS/MIN., EXTERNAL-NONE. |