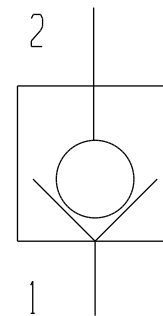
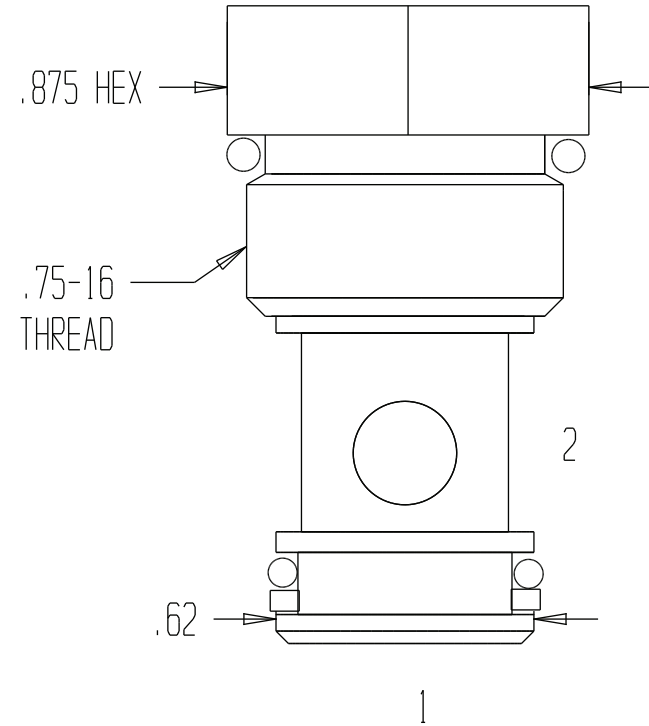


8025 CHECK CARTRIDGE VALVE



FUNCTIONAL SYMBOL

POPPET STYLE CHECK CARTRIDGE

GENERAL SPECIFICATIONS	
PRESSURE	5,000 PSI MAXIMUM WORKING.
FLOW RATE	10 GPM
MEDIA	PETROLEUM MINERAL BASE SAE 20. OTHER BASES MAY REQUIRE SEAL CHANGES.
CAVITY	2097-085-2
SEAL KIT	1198
LEAKAGE - MAX.	INTERNAL - 5 DROPS/MIN., EXTERNAL-NONE.