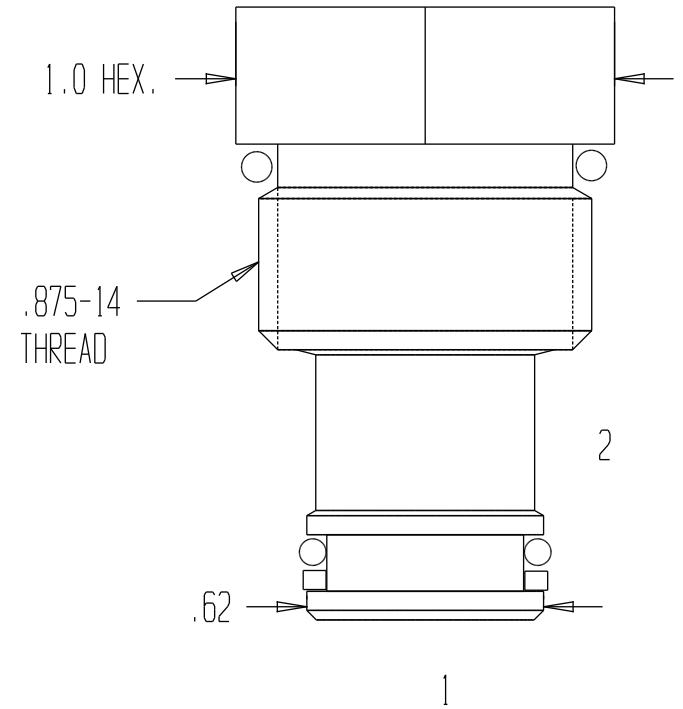


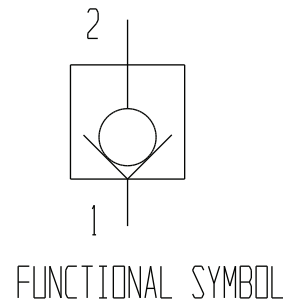
8107-10X-XXXX

OMIT IF NO BODY.
SEE BODY DRAWING FOR CODE

10 = BUINA 90 O-RING SEALS
10V = VITON 90 O-RING SEALS
10U = URETHANE 90 O-RING SEALS



THIS IS A POPPET STYLE CHECK VALVE CARTRIDGE.
WHEN IT IS OPENED WITH A PILOT PISTON, IT HAS A
30:1 RATIO OF SYSTEM TO PILOT PRESSURE.



GENERAL SPECIFICATIONS	
PRESSURE	5,000 PSI WORKING
FLOW RATE	12 GPM AT 100 PSI DIFFERENTIAL.
MEDIA	PETROLEUM MINERAL BASE SAE 20. OTHER BASES MAY REQUIRE SEAL CHANGES.
CAVITY	2141-10-2
SEAL KIT	5070 (BUINA), 5072 (VITON)
LEAKAGE - MAX.	INTERNAL - 5 DROPS/MIN., EXTERNAL-NONE.