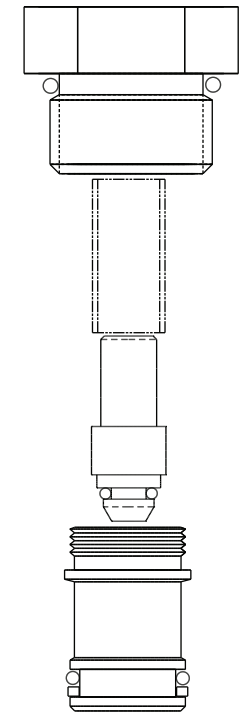
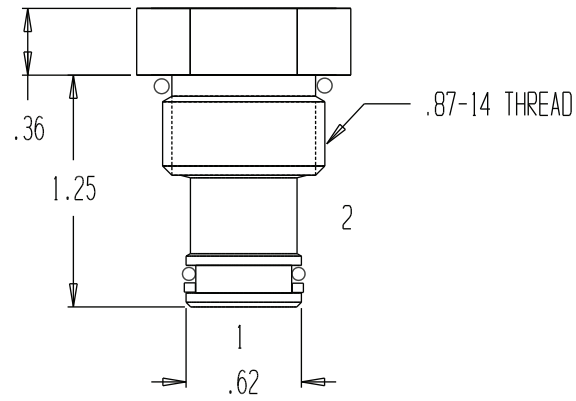
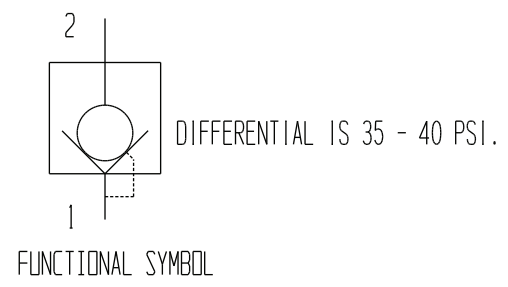


8204



NOTES: 1. LEAKAGE FROM 1 TO 2 WILL BE ZERO UNTIL 35 PSI.
 AS OIL BEGINS TO FLOW, THE PRESSURE DIFFERENTIAL FROM 1 TO 2 WILL BE 35 - 42 PSI.
 AS FLOW IS REDUCED AFTER VERIFYING THE 35-42 PSI RELIEF PRESSURE THE CARTRIDGE WILL RESEAT AND HAVE ZERO LEAKAGE FROM 1 TO 2 AT 28 PSI.

GENERAL SPECIFICATIONS	
PRESSURE	5,000 PSI WORKING
FLOW RATE	
MEDIA	PETROLEUM MINERAL BASE SAE 20. OTHER BASES MAY REQUIRE SEAL CHANGES.
CAVITY	2141-10-2
SEAL KIT	SEE CHART
LEAKAGE	INTERNAL- ZERO DROPS/MIN.



CASE DRAIN RELIEF CARTRIDGE