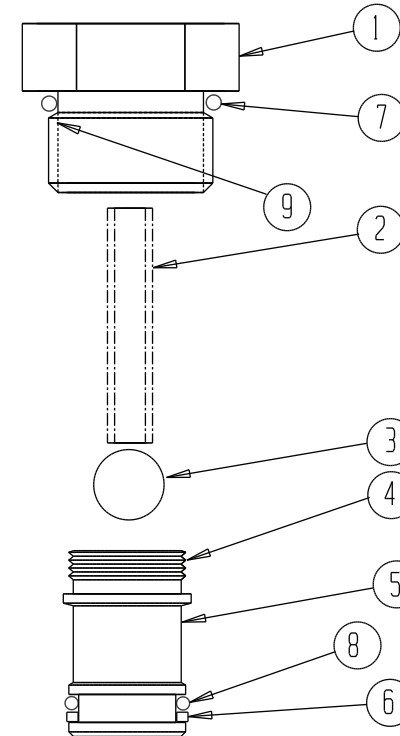
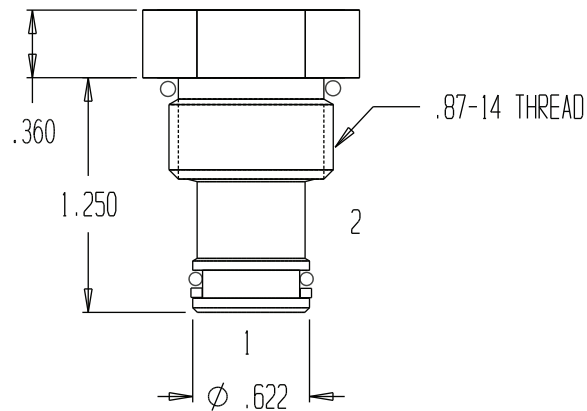
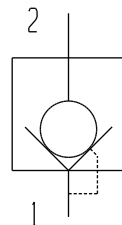


ITEM	QUANTITY	PART NUMBER	DESCRIPTION
1	1	1554	CAP
2	1	5527	SPRING
3	1	1087-375	BALL
4	1 DROP	5121	SEALANT-CAGE O.D. THRDS 262
5	1	5718	CAGE
6	1	5566-014	BACK-UP
7	1	1402-910	O-RING
8	1	1100-014	O-RING
9	1 SPRAY	5122	PRIMER-CAP I.D. THREADS
	0	5070	KIT, SERVICE SEAL



NOTES: 1. LEAKAGE FROM 1 TO 2 WILL BE ZERO UNTIL .4 PSI.
 AT A FLOW RATE OF 10 GPM THE
 PRESSURE DIFFERENTIAL FROM 1 TO 2 WILL BE
 20 PSI.



CRACK IS 0.5 PSI.

FUNCTIONAL SYMBOL

CB1-10-0 (.5 PSI CRACK)

BALL CHECK CARTRIDGE, 10 SERIES, .5 PSI CRACK

GENERAL SPECIFICATIONS	
PRESSURE	5,000 PSI WORKING
FLOW RATE	10 GPM AT 20 PSI DIFFERENTIAL.
MEDIA	PETROLEUM MINERAL BASE SAE 20. OTHER BASES MAY REQUIRE SEAL CHANGES.
CAVITY	2141-10-2
SEAL KIT	SEE CHART
LEAKAGE	INTERNAL 2 - 1, 5 DROPS/MIN.