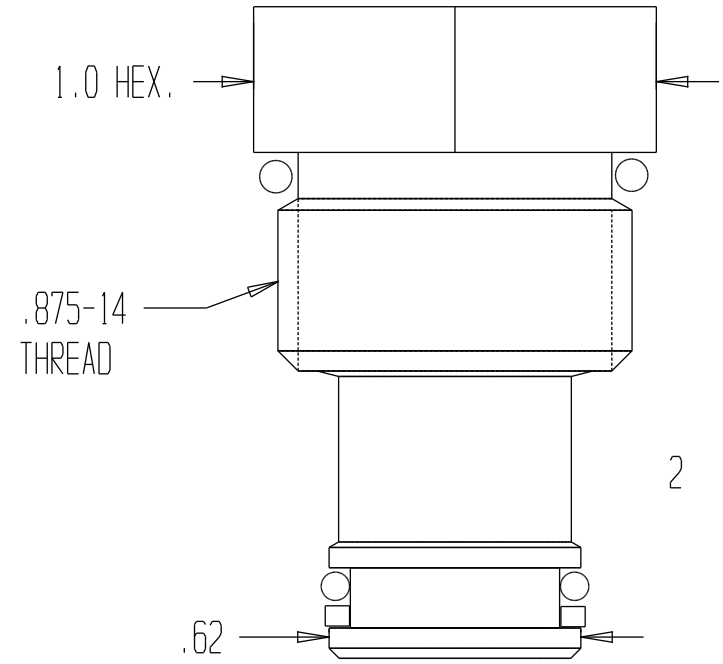


CP1-10X-XXXX

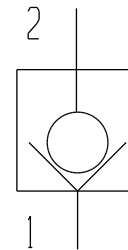
OMIT IF NO BODY.  
SEE BODY DRAWING FOR CODE

10 = BUNA 90 O-RING SEALS  
10V = VITON 90 O-RING SEALS



1  
POPPET STYLE CHECK VALVE CARTRIDGE

GENERAL SPECIFICATIONS	
PRESSURE	5,000 PSI WORKING
FLOW RATE	12 GPM AT 100 PSI DIFFERENTIAL.
MEDIA	PETROLEUM MINERAL BASE SAE 20. OTHER BASES MAY REQUIRE SEAL CHANGES.
CAVITY	2141-10-2
SEAL KIT	5070 (BUNA), 5072 (VITON)
LEAKAGE - MAX.	INTERNAL - 5 DROPS/MIN., EXTERNAL-NONE.



FUNCTIONAL SYMBOL