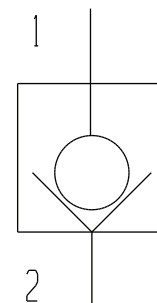
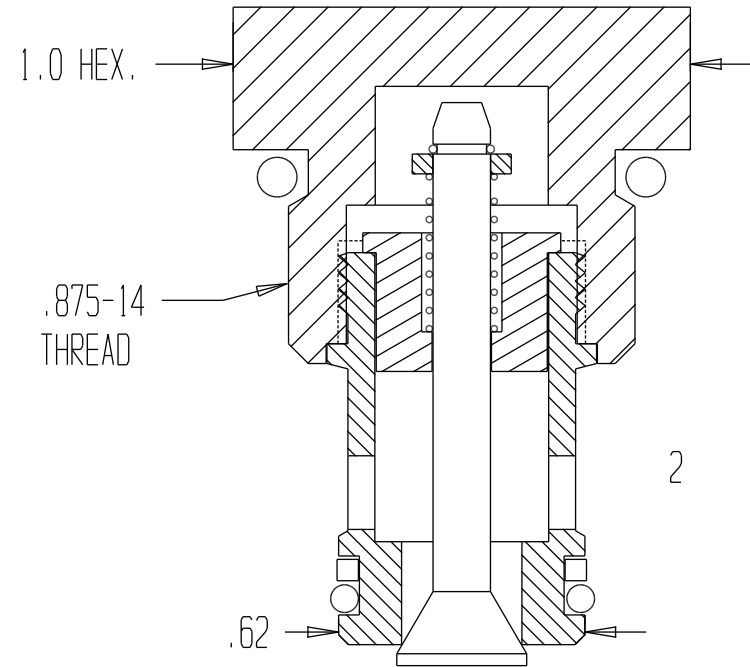


CP2-10X-XXXX

OMIT IF NO BODY.
SEE BODY DRAWING FOR CODE.

10 = BUNA 90 O-RING SEALS
10V = VITON 90 O-RING SEALS



FUNCTIONAL SYMBOL

POPPET STYLE CHECK VALVE CARTRIDGE
WITH FREE FLOW FROM 2 TO 1

GENERAL SPECIFICATIONS	
PRESSURE	5,000 PSI MAXIMUM WORKING.
FLOW RATE	12 GPM AT 100 PSI DIFFERENTIAL.
MEDIA	PETROLEUM MINERAL BASE SAE 20. OTHER BASES MAY REQUIRE SEAL CHANGES.
CAVITY	2141-10-2
SEAL KIT	5070
LEAKAGE - MAX.	INTERNAL- 5 DROP/MIN., EXTERNAL-NONE.