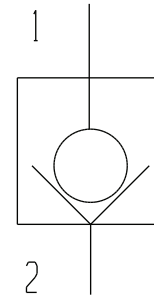
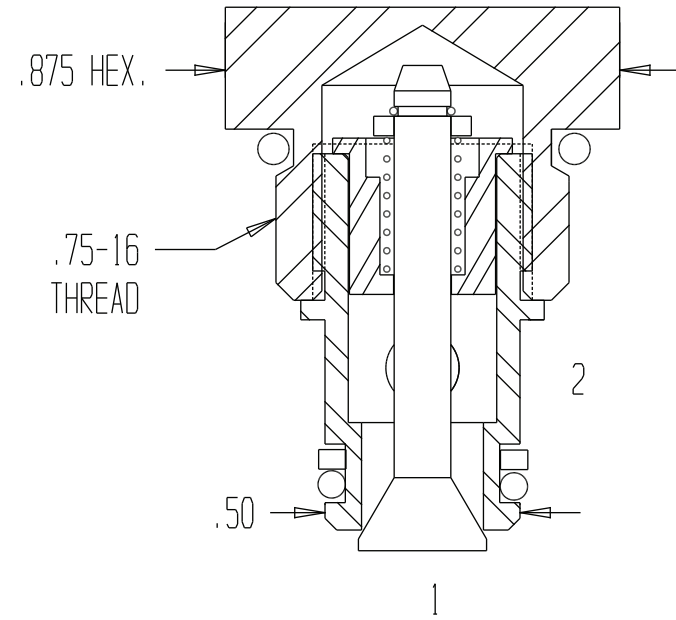


CP2-84X-XXXX

OMIT IF NO BODY.
SEE BODY DRAWING FOR CODE.

84 = BUNA 90 O-RINGS SEALS
B4V = VITON 90 O-RING SEALS



FUNCTIONAL SYMBOL

POPPET STYLE CHECK VALVE CARTRIDGE
WITH FREE FLOW FROM 2 TO 1

GENERAL SPECIFICATIONS	
PRESSURE	5,000 PSI WORKING
FLOW RATE	8 GPM AT 50 PSI DIFFERENTIAL.
MEDIA	PETROLEUM MINERAL BASE SAE 20. OTHER BASES MAY REQUIRE SEAL CHANGES.
CAVITY	CAV84-2
SEAL KIT	
LEAKAGE - MAX.	INTERNAL- 5 DROPS/MIN. @ 500 PSI, EXTERNAL-NONE.
BIAS PRESSURE	10 PSI.