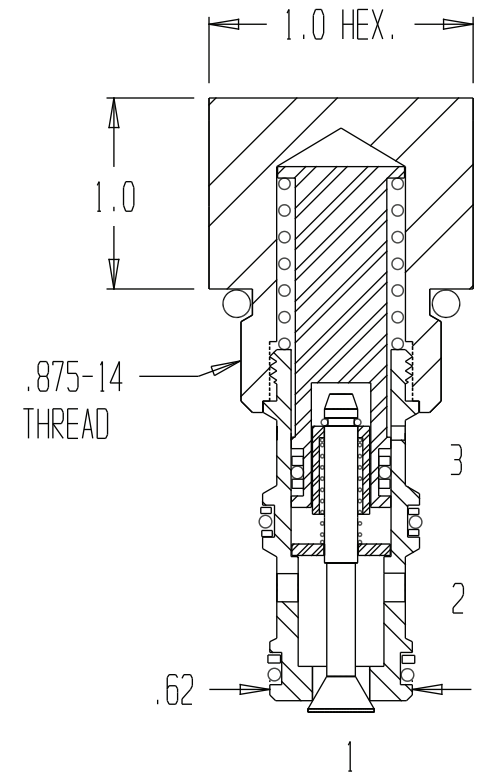
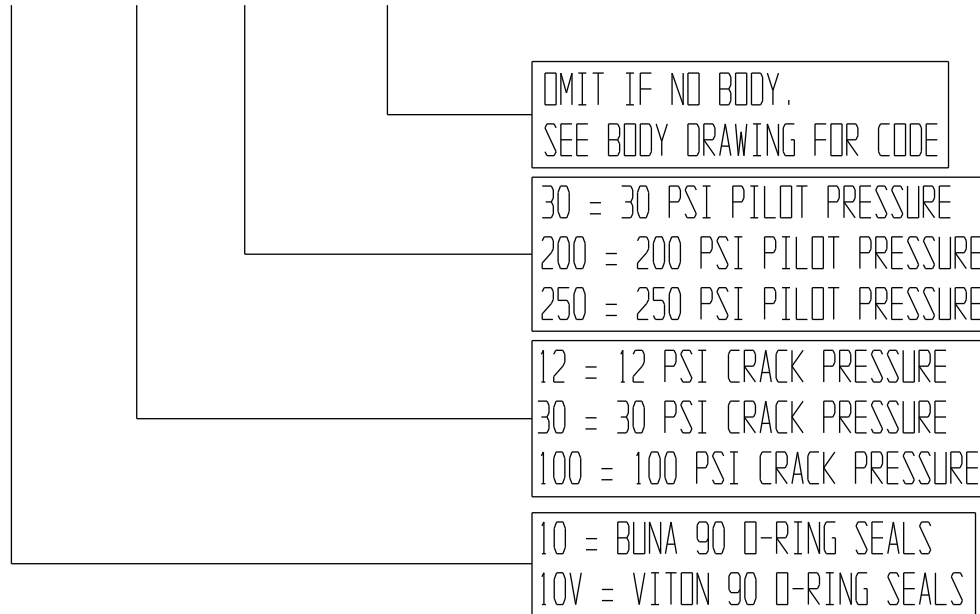
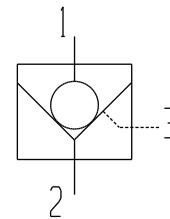


# PCPIL3-10X-XX-XX-XXXX



GENERAL SPECIFICATIONS	
PRESSURE	5,000 PSI WORKING
FLOW RATE	15 GPM AT 150 PSI DIFFERENTIAL.
MEDIA	PETROLEUM MINERAL BASE SAE 20. OTHER BASES MAY REQUIRE SEAL CHANGES.
CAVITY	2141-10-3
SEAL KIT	5075 (BUNA), 5077 (VITON)
LEAKAGE - MAX.	INTERNAL-5 DROPS/MIN., EXTERNAL-NONE.
CRACK PRESSURE	WHEN DROPS BECOME A STREAM.
PILOT RATIO	3 : 1
BODY CHOICES	ANY WITH C-10-3 CAVITY OR 5024 CUSTOM

PILOT TO OPEN, POPPET STYLE CHECK VALVE CARTRIDGE



FUNCTIONAL SYMBOL