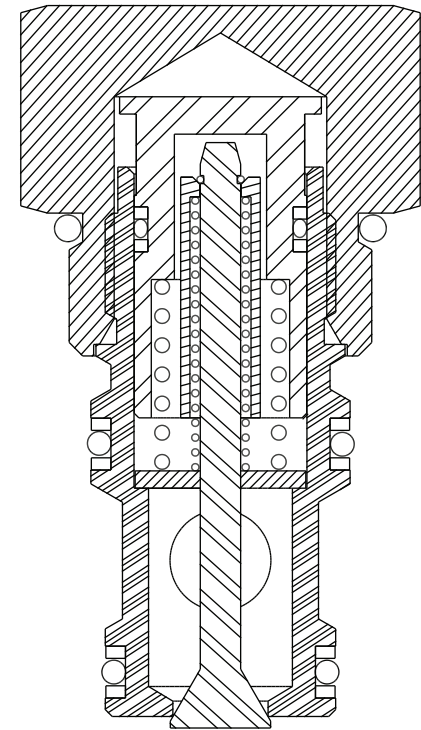
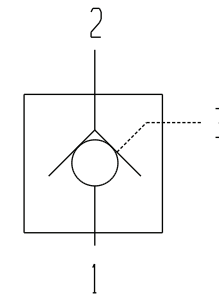
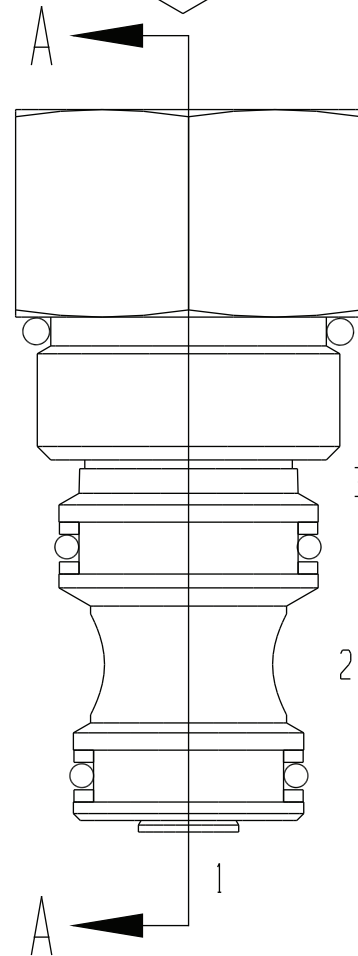
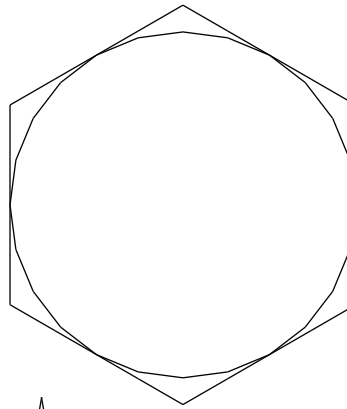


PCPIL3-16X-0

16 = BUNA 90 O-RING SEALS
 16V = VITON 90 O-RING SEALS

16 SERIES PILOT CHECK CARTRIDGE



SECTION A-A

GENERAL SPECIFICATIONS

PRESSURE	5,000 PSI WORKING
FLOW RATE	40 GPM AT 150 PSI DIFFERENTIAL.
MEDIA	PETROLEUM MINERAL BASE SAE 20. OTHER BASES MAY REQUIRE SEAL CHANGES.
CAVITY	C-16-3S
SEAL KIT	5054
LEAKAGE	INTERNAL-.5 CUBIC INCHES/MIN., EXTERNAL-NONE.