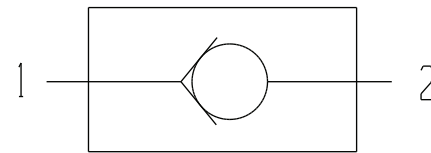
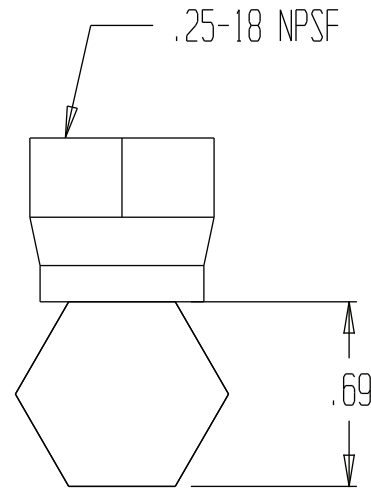
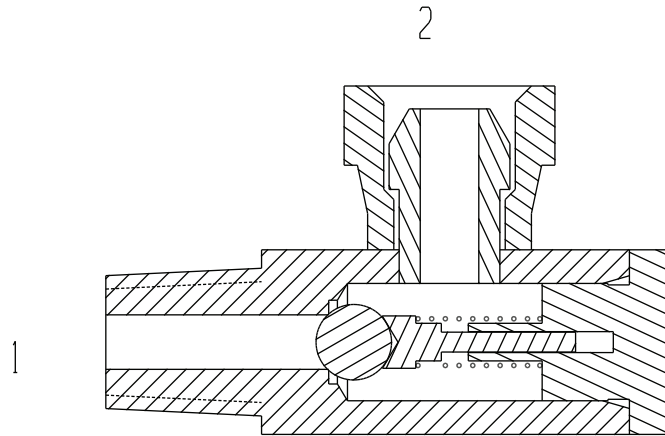
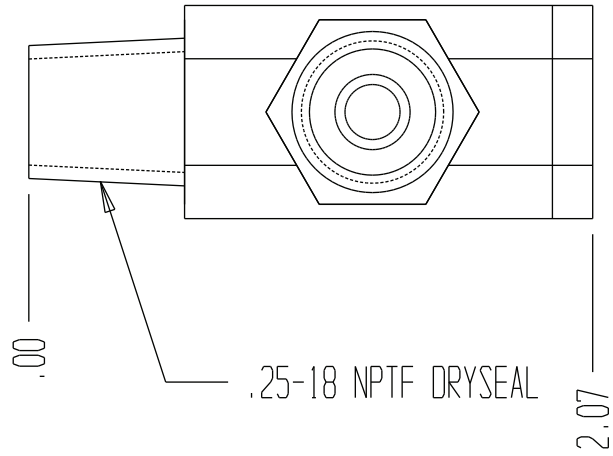


2041



FUNCTIONAL SYMBOL

90° ANGLE CHECK

GENERAL SPECIFICATIONS	
PRESSURE	10,000 PSI MAX.
FLOW RATE	10 GPM
MEDIA	PETROLEUM MINERAL BASE SAE 20. OTHER BASES MAY REQUIRE SEAL CHANGES.
LEAKAGE - MAX.	INTERNAL-5 DROPS/MIN., EXTERNAL-NONE.