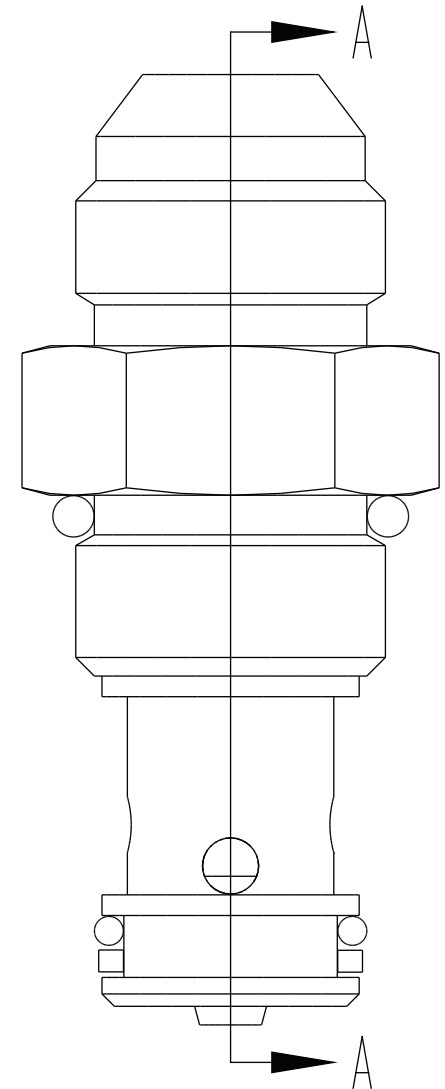
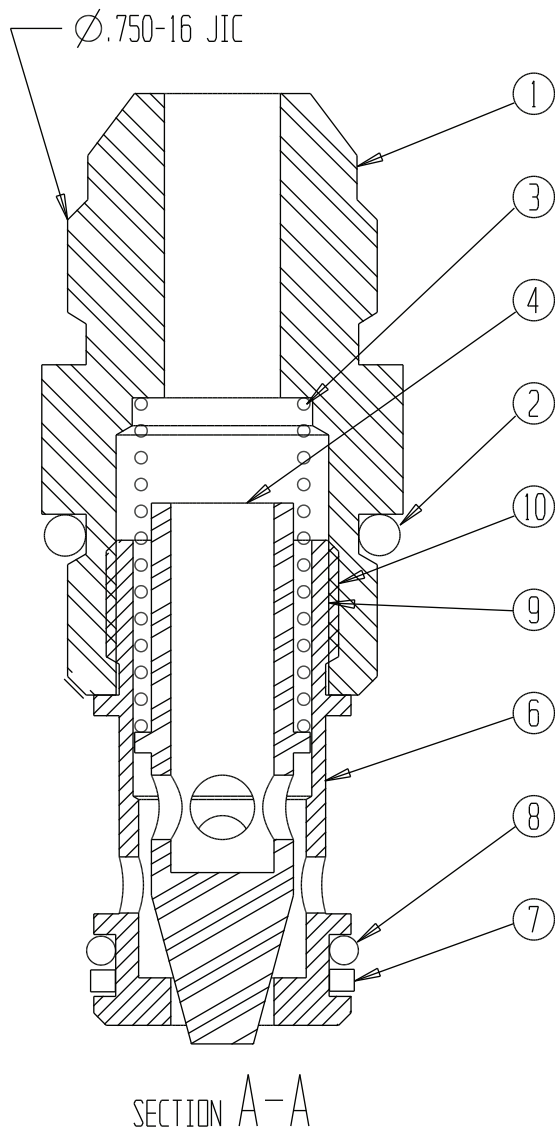


ITEM	QUANTITY	PART NUMBER	DESCRIPTION
1	1	1272	FITTING
2	1	1402-908	O-RING, Buna 90
3	1	1267	SPRING, COMPRESSION
4	1	1271	POPPET
5			
6	1	1265	CAGE
7	1	1089-014	BACK-UP, TEFLON
8	1	1570-014	O-RING, VITON 90
9	2 DROPS	5121	SEAL, THREAD-262
10	1 APL	5122	SEAL, PRIMER



GENERAL SPECIFICATIONS	
PRESSURE	5,000 PSI WORKING
FLOW RATE	15 GPM AT 100 PSI DIFFERENTIAL.
MEDIA	PETROLEUM MINERAL BASE SAE 20. OTHER BASES MAY REQUIRE SEAL CHANGES.
CAVITY	2097-085-2
SEAL KIT	
LEAKAGE	INTERNAL-2 DROPS/MIN. AT 1000 PSI.

2106