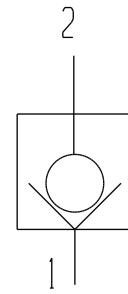
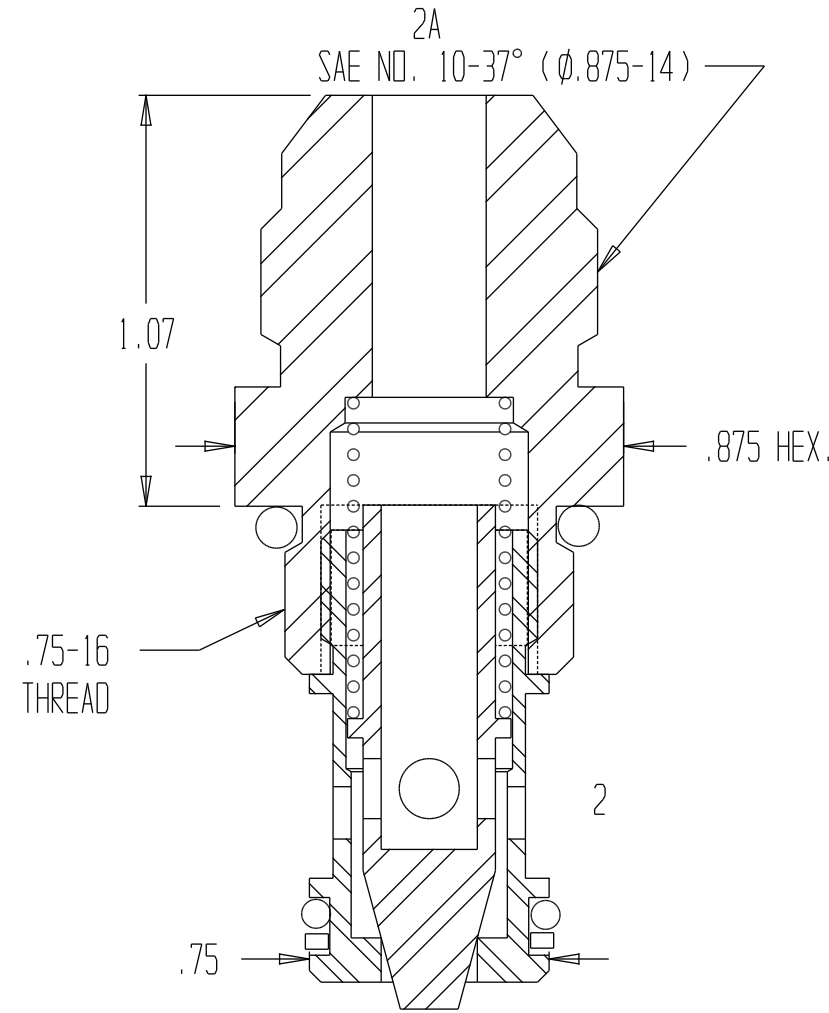


8063



FUNCTIONAL SYMBOL

POPPET CHECK CARTRIDGE VALVE
WITH EXTERNAL 37° FITTING

	GENERAL SPECIFICATIONS
PRESSURE	5,000 PSI WORKING
FLOW RATE	15 GPM AT 100 PSI DIFFERENTIAL.
MEDIA	PETROLEUM MINERAL BASE SAE 20. OTHER BASES MAY REQUIRE SEAL CHANGES.
CAVITY	2097-85-2
SEAL KIT	1198
LEAKAGE - MAX	INTERNAL: 5 DROPS/MIN., EXTERNAL: NONE.