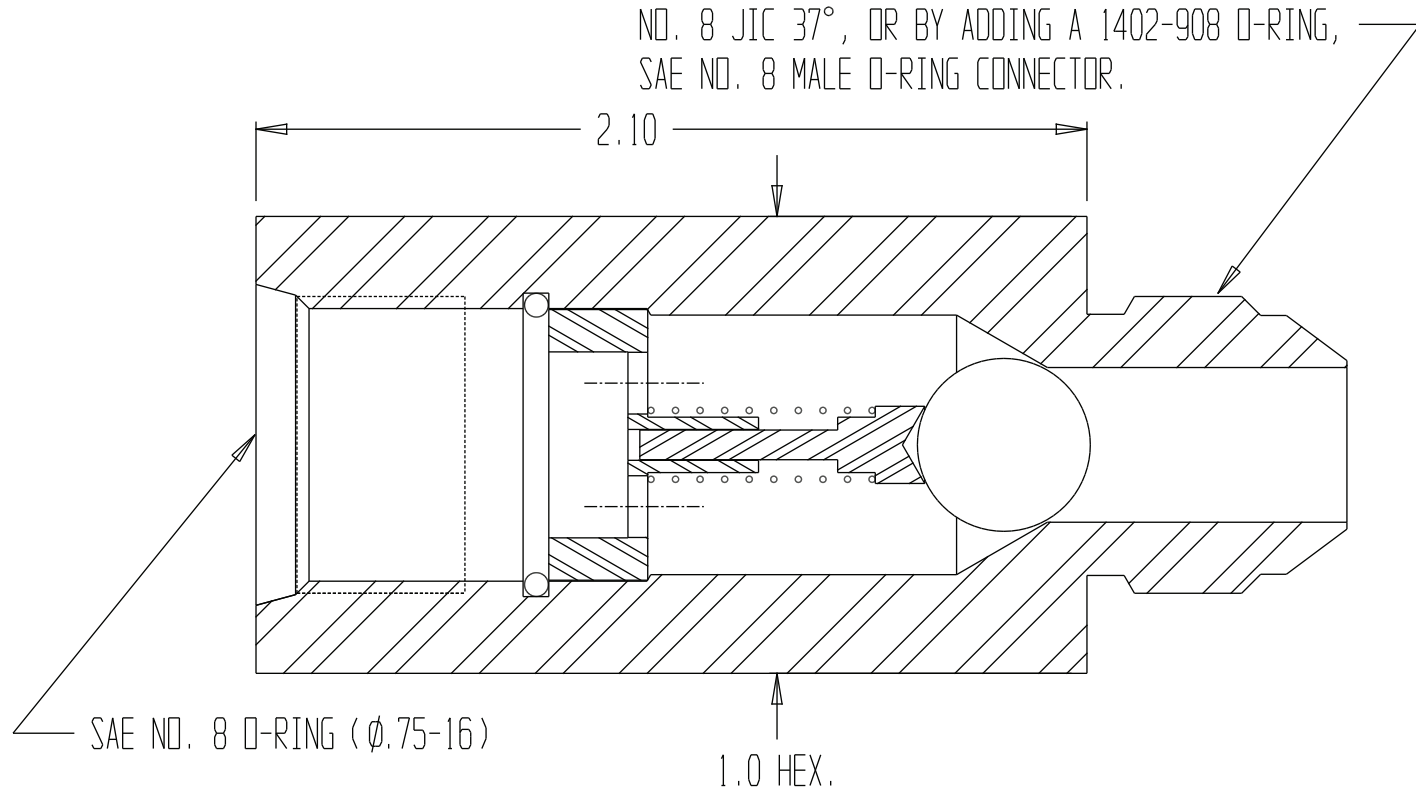
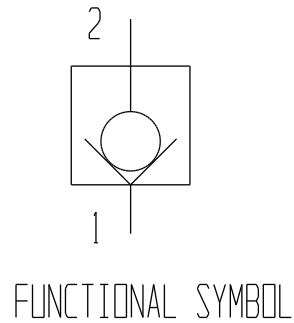


8065



GENERAL SPECIFICATIONS	
PRESSURE	5,000 PSI WORKING
FLOW RATE	12 GPM AT 100 PSI DIFFERENTIAL.
MEDIA	PETROLEUM MINERAL BASE SAE 20. OTHER BASES MAY REQUIRE SEAL CHANGES.
LEAKAGE - MAX.	INTERNAL- 5 DROPS/MIN., EXTERNAL-NONE.



INLINE CHECK VALVE