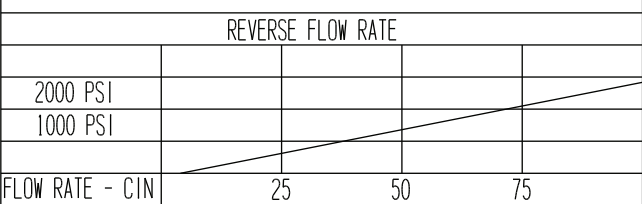
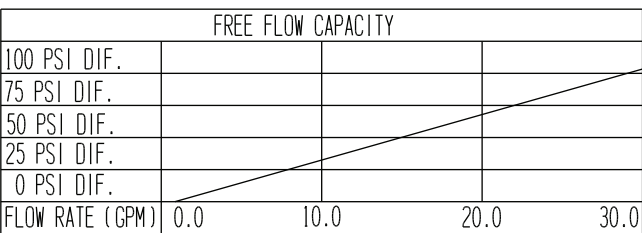
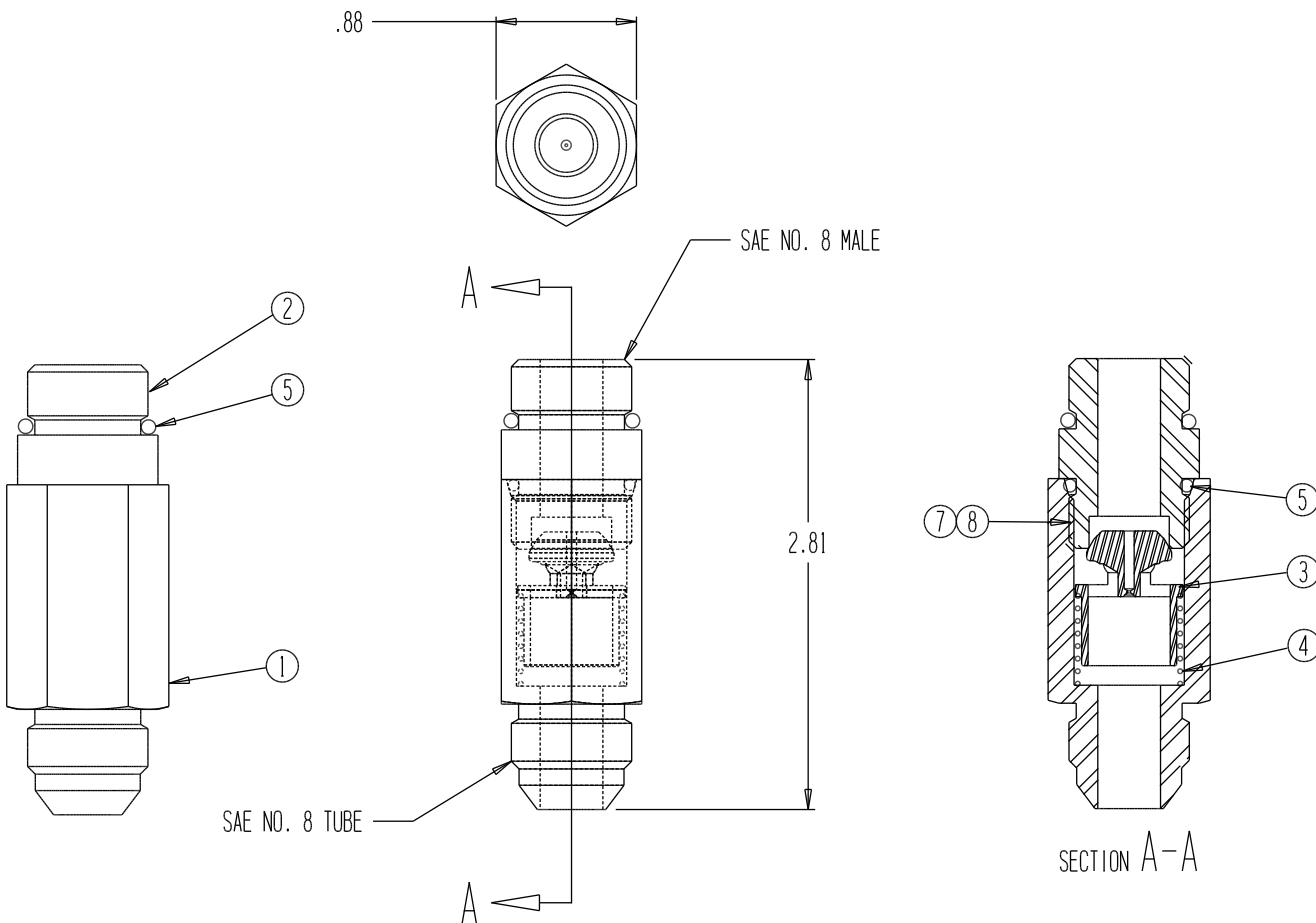


ITEM	QUANTITY	PART NUMBER	DESCRIPTION
1	1	5886	BODY
2	1	5887	FITTING, CAP
3	1	5883	POPPET
4	1	5885	SPRING
5	2	1402-908	O-RING, 90 DURO.
6			
7	1 SPRAY	5122	PRIMER, ON THREADS IN BODY
7	1 DROP	5121	SEAL, THREAD - 262



GENERAL SPECIFICATIONS	
PRESSURE	3,500 PSI WORKING
MEDIA	PETROLEUM MINERAL BASE SAE 20. OTHER BASES MAY REQUIRE SEAL CHANGES.
IN LINE	SAE 8 O-RING BOSS X SAE 8 37° TUBE.
SEAL KIT	NONE
LEAKAGE	INTERNAL - .5 GPM AT 3000 PSI, EXTERNAL-NONE.



NOTES: 1. BUILT IN REVERSE FLOW RATE = 11.5 IN³./MIN.
2. ZINC PLATED.

8261