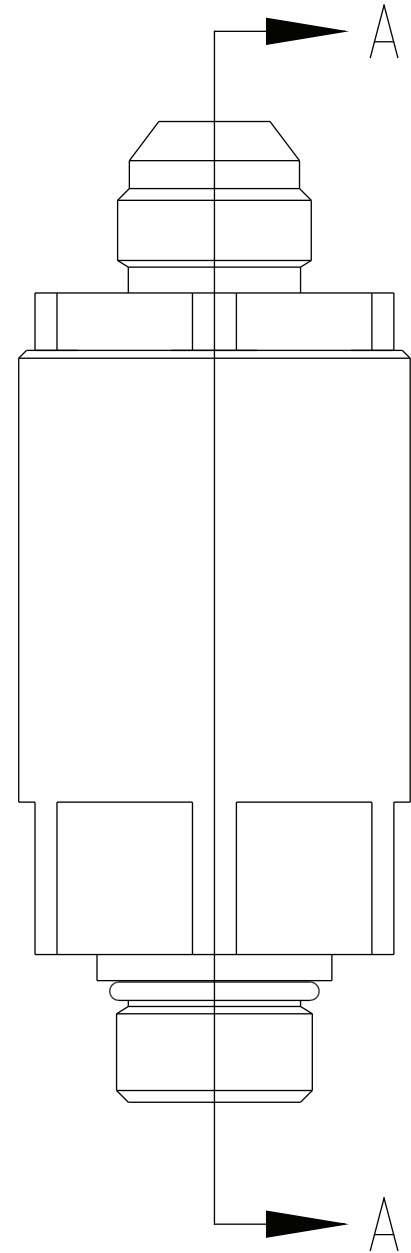
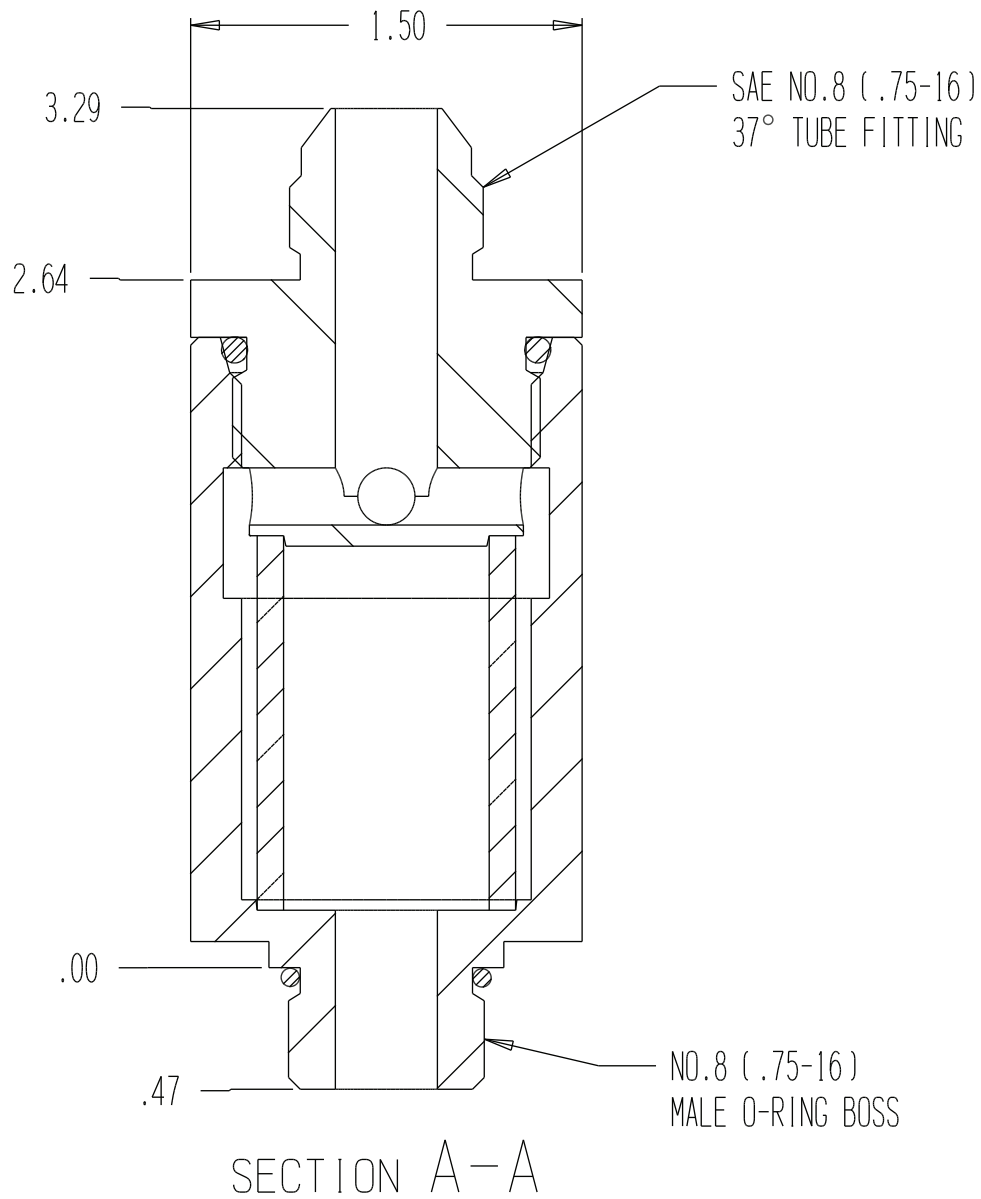


8166



GENERAL SPECIFICATIONS	
PRESSURE	5,000 PSI WORKING
FLOW RATE	5 GPM AT 160 PSI DIFFERENTIAL
MEDIA	PETROLEUM MINERAL BASE SAE 20. OTHER BASES MAY REQUIRE SEAL CHANGES.
FILTRATION	10 MICRON PARTICLE RETENTION