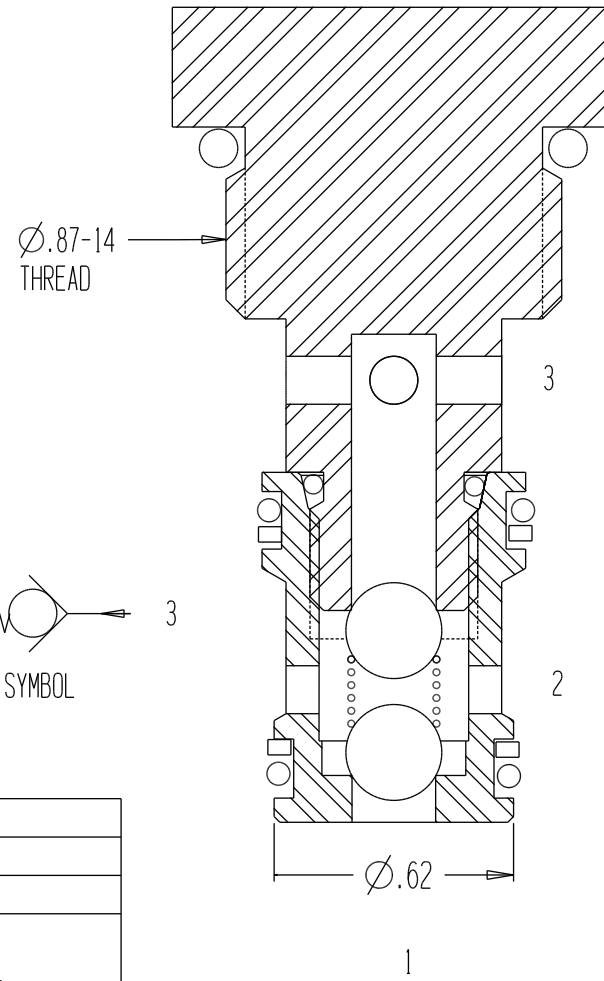
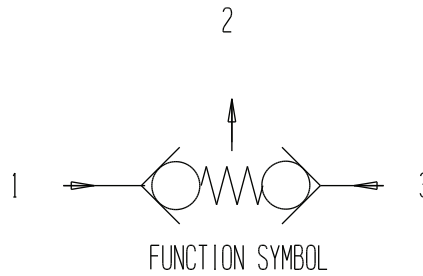


1381

SHUTTLE CARTRIDGE
MODEL SCVDI-10-B-0



GENERAL SPECIFICATIONS	
PRESSURE	5,000 PSI WORKING
FLOW RATE	5 GPM AT 20 PSI DIFFERENTIAL.
MEDIA	PETROLEUM MINERAL BASE SAE 20. OTHER BASES MAY REQUIRE SEAL CHANGES.
CAVITY	2141-10-3
SEAL KIT	5074
LEAKAGE- MAX.	INTERNAL-10 DROPS/MIN. @ EITHER SEAT, EXT.-NONE.