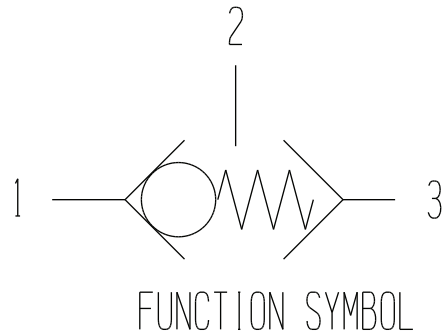
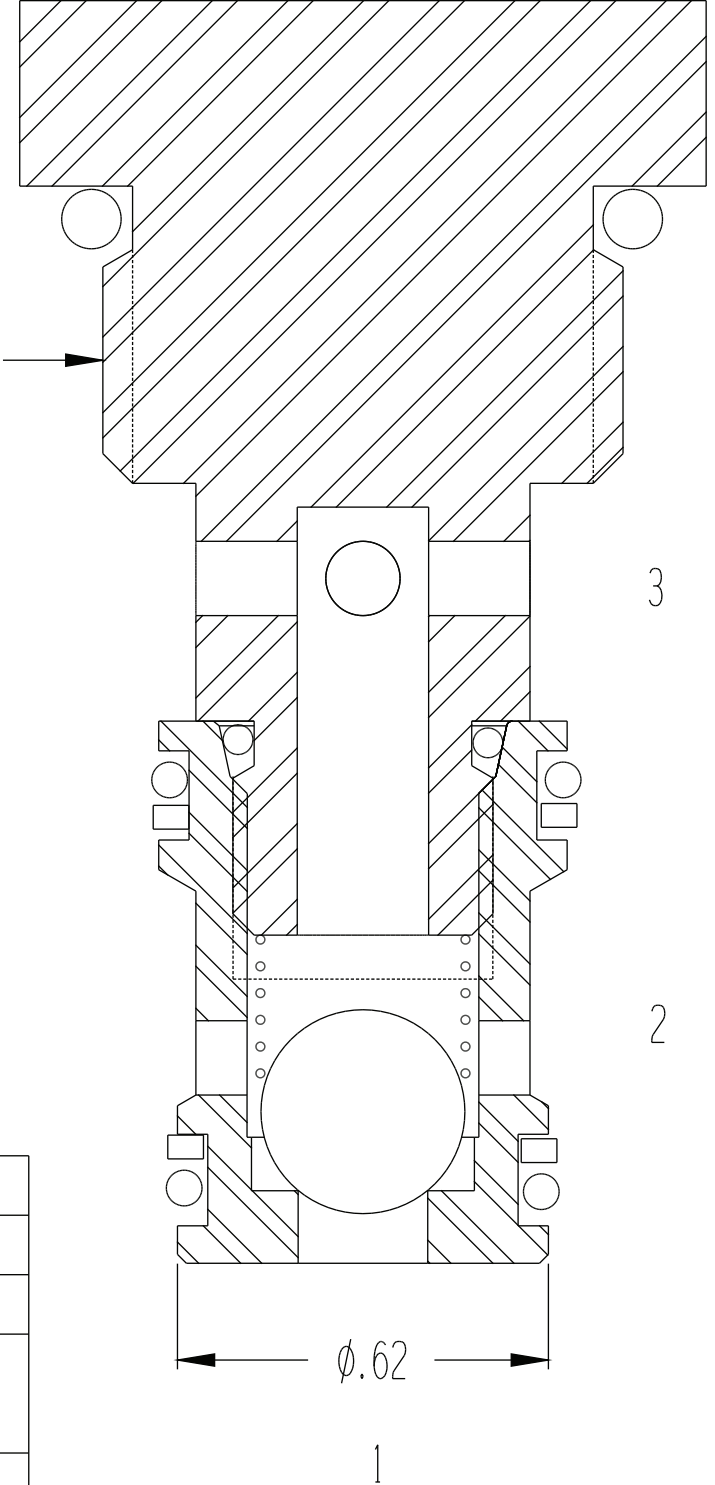


8084

SHUTTLE CARTRIDGE
WITH SPRING OFFSET



$\varnothing.875-14$
THREAD



GENERAL SPECIFICATIONS	
PRESSURE	5,000 PSI WORKING
FLOW RATE	5 GPM AT 100 PSI DIFFERENTIAL.
MEDIA	PETROLEUM MINERAL BASE SAE 20. OTHER BASES MAY REQUIRE SEAL CHANGES.
CAVITY	2141-10-3
SEAL KIT	5074
LEAKAGE	INTERNAL- 5 CUBIC INCHES/MIN., EXTERNAL-NONE.