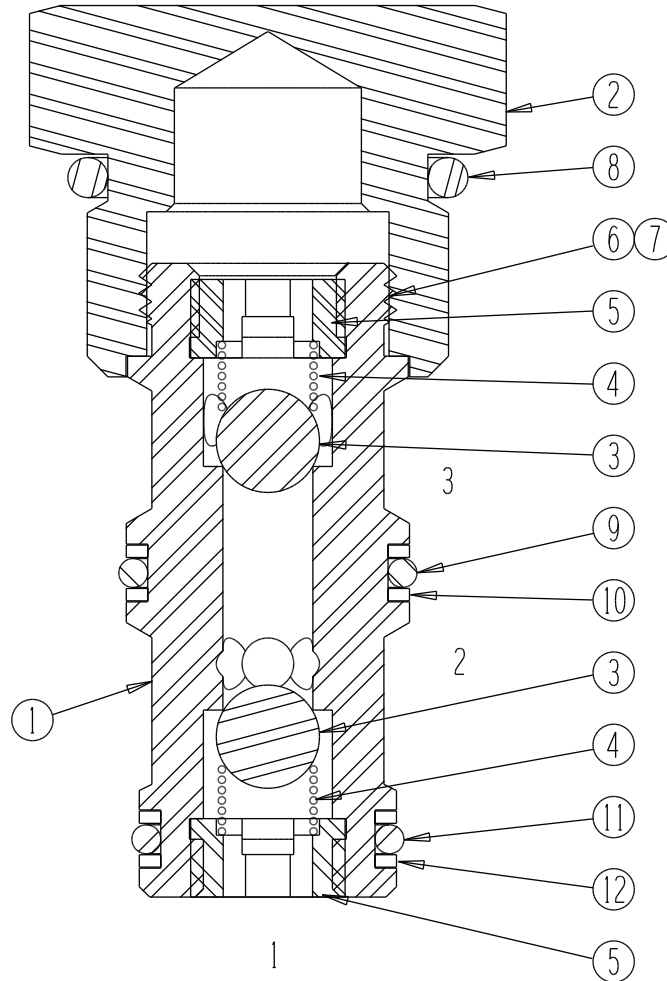
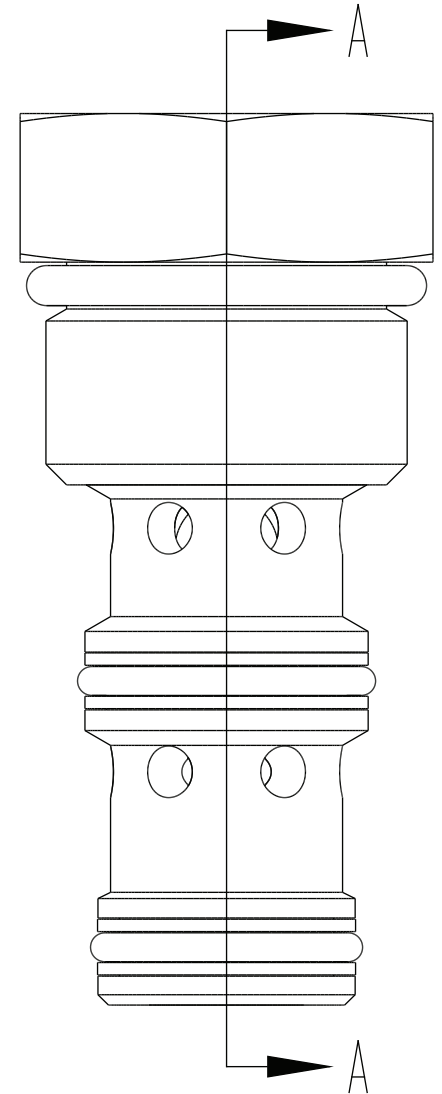


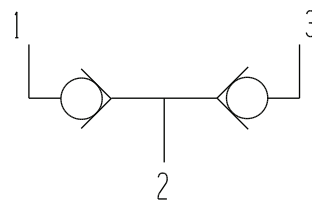
ITEM	QUANTITY	PART NUMBER	DESCRIPTION
1	1	5873	CAGE
2	1	1554	CAP
3	2	1087-250	BALL, STEEL
4	2	1368	SPRING, COMPRESSION
5	2	5872	PLUG, ORIFICE
6	1 SPRAY	5122	PRIMER
7	2 DROPS	5121	SEALANT-262
8	1	1402-910	O-RING, 90 DURO
9	1	1100-015	O-RING
10	2	1221-015	BACK-UP, 1/2 THICK
11	1	1100-014	O-RING
12	2	1221-014	BACK-UP, 1/2 THICK



SECTION A-A  
SCALE 2:1



GENERAL SPECIFICATIONS	
PRESSURE	5,000 PSI WORKING
FLOW RATE	10 GPM AT 100 PSI DIFFERENTIAL.
MEDIA	PETROLEUM MINERAL BASE SAE 20. OTHER BASES MAY REQUIRE SEAL CHANGES.
CAVITY	2141-10-3
SEAL KIT	5075-BUNA
LEAKAGE	INTERNAL - 10 DROPS/MIN., EXTERNAL - NONE.



FUNCTION SYMBOL

8257