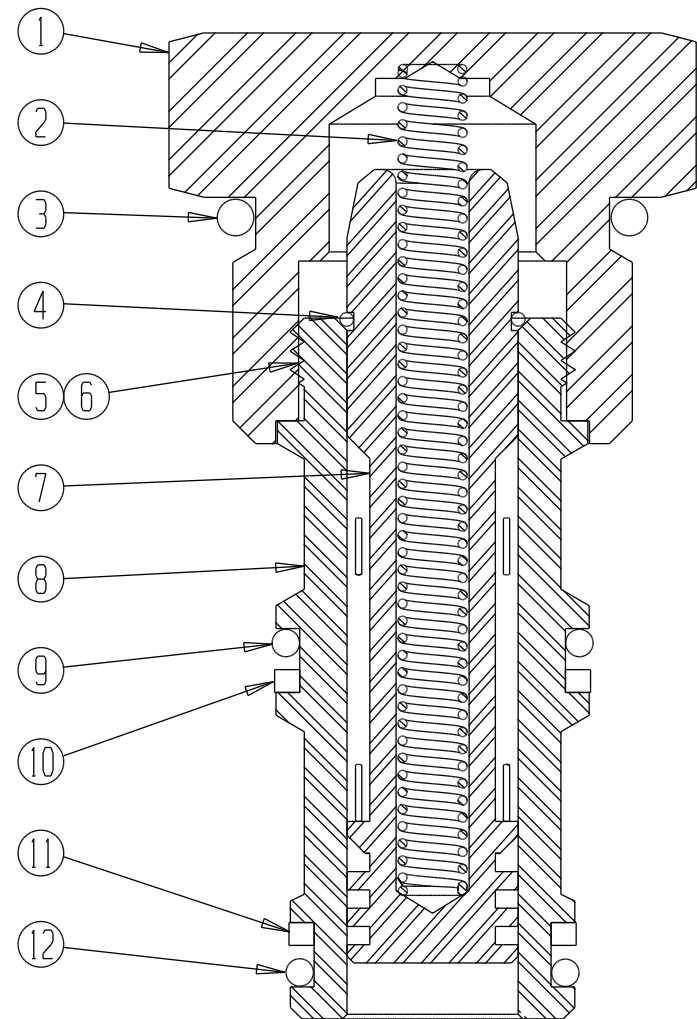
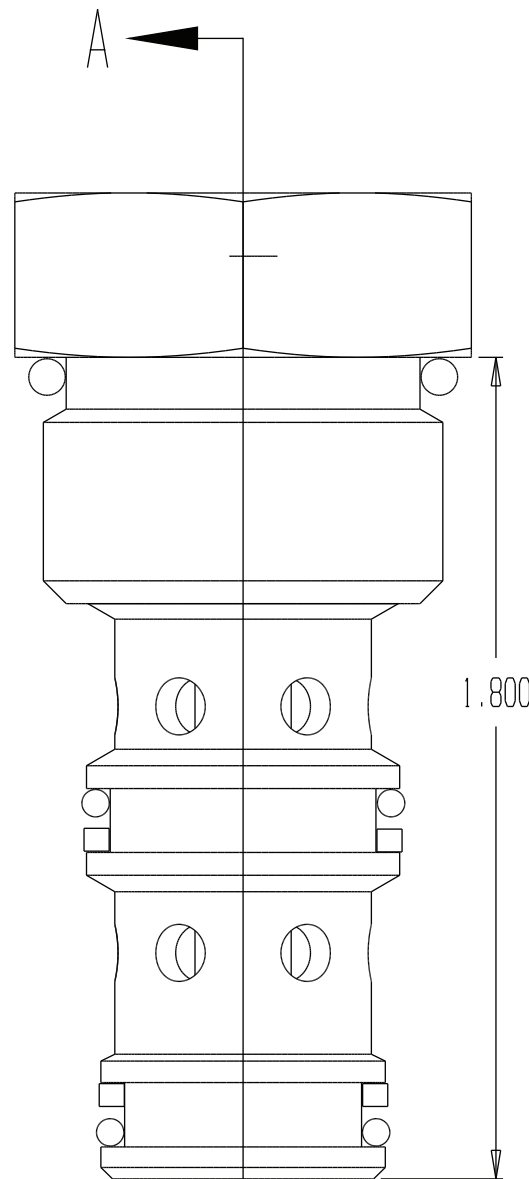


ITEM	QUANTITY	PART NUMBER	DESCRIPTION
1	1	5726	CAP
2	1	5727	SPRING
3	1	1402-910	O-RING, Buna 90
4	1	1363	RETAINER, WIRE RING
5	1 SPRAY	5122	PRIMER, ON I.D. THRD'S.
6	1 DROP	5124	SEALANT, ON O.D. THRD'S.
7	1	5725	SPOOL, COMPENSATOR
8	1	2133	CAGE
9	1	1100-015	O-RING, Buna 90
10	1	1089-015	BACK-UP RING, TEFLON
11	1	1089-014	BACK-UP RING, TEFLON
12	1	1100-014	O-RING, Buna 90



SECTION A-A

8200

10 SERIES MODULATOR LOGIC CARTRIDGE

GENERAL SPECIFICATIONS	
PRESSURE	5,000 PSI WORKING
FLOW RATE	15 GPM AT 100 PSI DIFFERENTIAL.
MEDIA	PETROLEUM MINERAL BASE SAE 20. OTHER BASES MAY REQUIRE SEAL CHANGES.
CAVITY	2141-10-3
SEAL KIT	1400-BUNA
LEAKAGE	INTERNAL- 5 CUBIC INCHES/MIN., EXTERNAL-NONE.