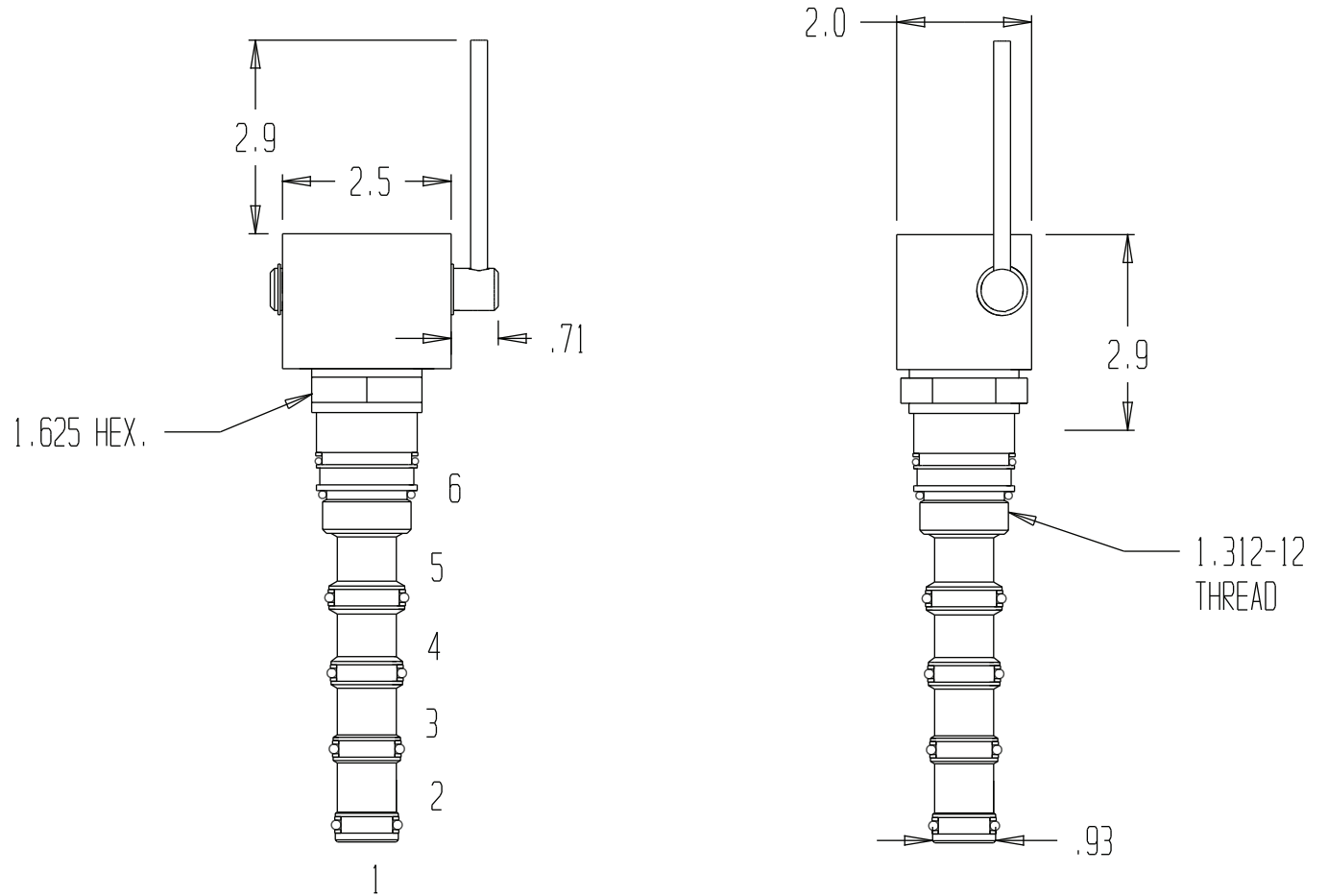
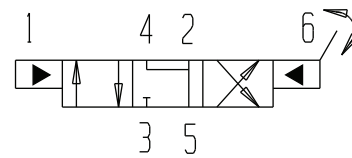


8086



GENERAL SPECIFICATIONS	
PRESSURE	3,500 PSI WORKING
FLOW RATE	15 - 20 GPM AT 100 PSI DIFFERENTIAL.
MEDIA	MINERAL BASE, MIL. SPEC. H-5606 OR NEAR EQUAL. OTHER BASES MAY REQUIRE SEAL CHANGES.
CAVITY	16-6 SPECIAL
SEAL KIT	
LEAKAGE MAX.	INTERNAL-10 CUBIC INCHES / MIN., EXTERNAL-NONE.



FUNCTIONAL SYMBOL

3 POSITION, 4-WAY, TANDEM CENTER CARTRIDGE VALVE. THIS VALVE IS PILOT OR MANUALLY OPERATED WITH SPRING CENTERING.