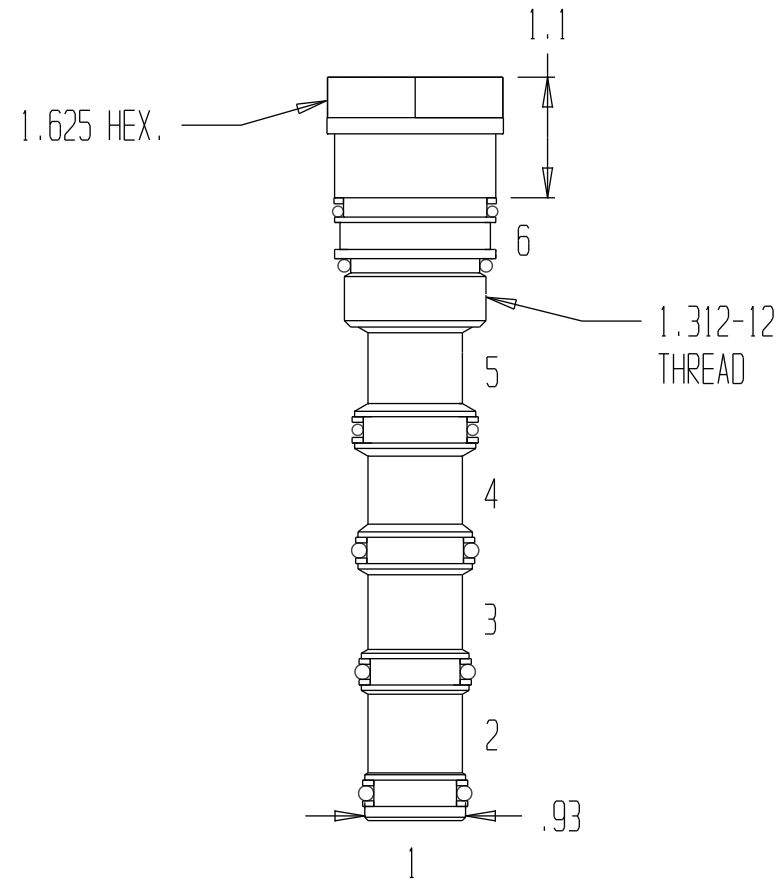
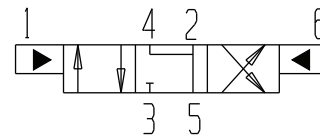


8087



GENERAL SPECIFICATIONS	
PRESSURE	3,500 PSI WORKING
FLOW RATE	20 GPM AT 100 PSI DIFFERENTIAL.
MEDIA	PETROLEUM MINERAL BASE SAE 20. OTHER BASES MAY REQUIRE SEAL CHANGES.
CAVITY	16-6 SPECIAL
SEAL KIT	
LEAKAGE - MAX.	INTERNAL-10 CUBIC INCHES / MIN., EXTERNAL-NONE.



FUNCTIONAL SYMBOL

3 POSITION, 4-WAY, TANDEM CENTER CARTRIDGE VALVE. THIS VALVE IS PILOT OPERATED WITH SPRING CENTERING.