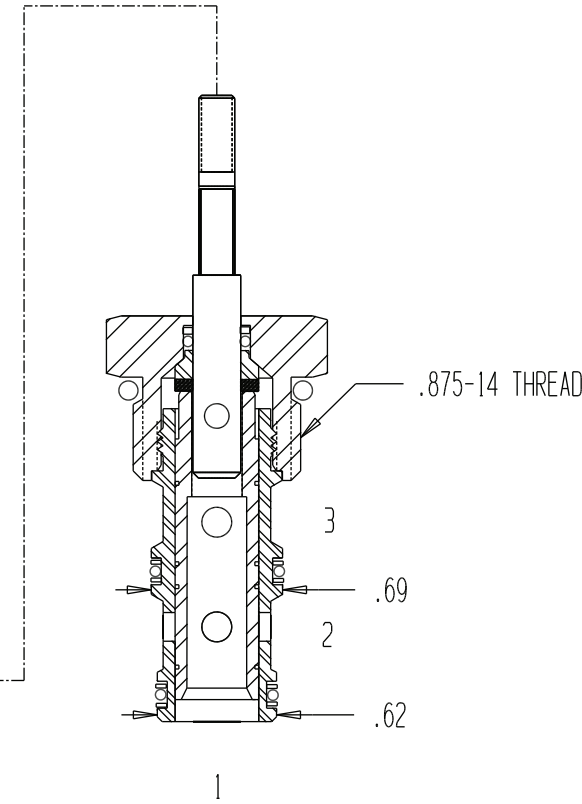
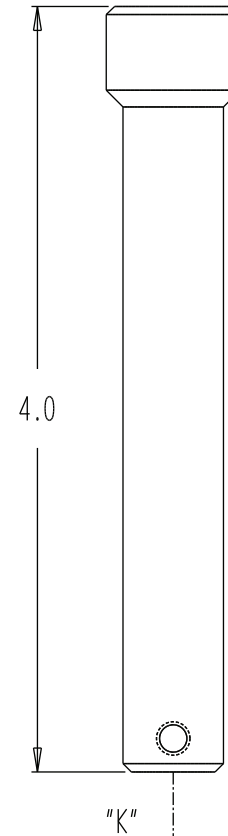


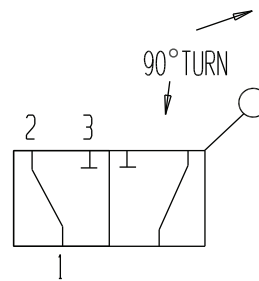
8106-10X-K-XXXX

OMIT IF NO BODY
SEE BODY DRAWING FOR CODE

10 = BUNA 90 O-RING SEALS
10V = VITON 90 O-RING SEALS



GENERAL SPECIFICATIONS	
PRESSURE	5,000 PSI WORKING
FLOW RATE	0.7 GPM AT 100 PSI DIFFERENTIAL.
MEDIA	PETROLEUM MINERAL BASE SAE 20. OTHER BASES MAY REQUIRE SEAL CHANGES.
CAVITY	2141-10-3
SEAL KIT	5079(BUNA) 5081(VITON)
LEAKAGE	INTERNAL-.5 CUBIC INCHES/MIN., EXTERNAL-NONE.



FUNCTIONAL SYMBOL