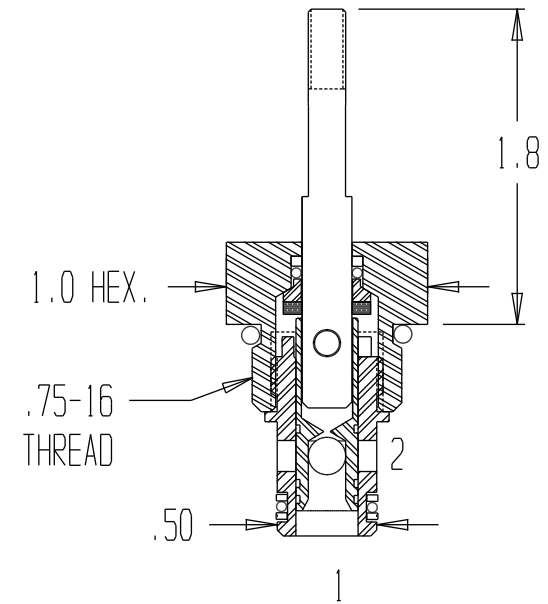


SELMR2-84X-XXXX

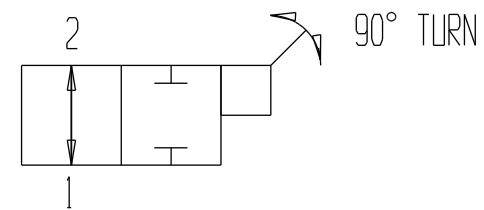
OMIT IF NO BODY.
SEE BODY DRAWING FOR CODE

84 = BUNA 90 O-RING SEALS
84V = VITON 90 O-RING SEALS



2 POSITION, 90° ROTATION
2-WAY CARTRIDGE VALVE

GENERAL SPECIFICATIONS	
PRESSURE	3,500 PSI WORKING
FLOW RATE	4 GPM AT 20 PSI DIFFERENTIAL.
MEDIA	PETROLEUM MINERAL BASE SAE 20. OTHER BASES MAY REQUIRE SEAL CHANGES.
CAVITY	CAV84-2
SEAL KIT	
LEAKAGE -MAX.	INTERNAL - 10 DROPS/MIN. AT 1,000 DELTA 'PSI'.



FUNCTIONAL SYMBOL