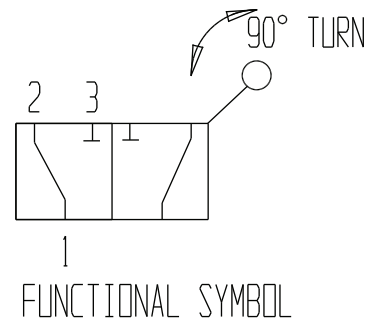
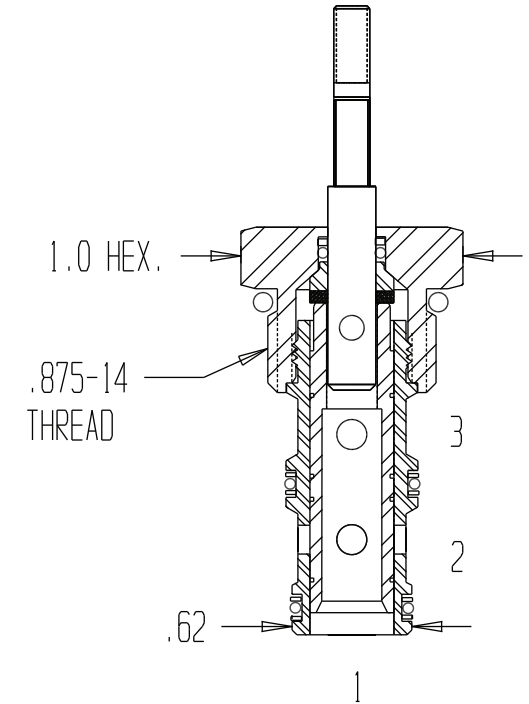
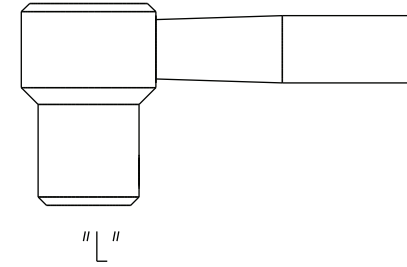
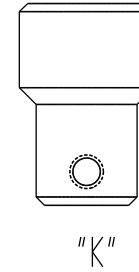
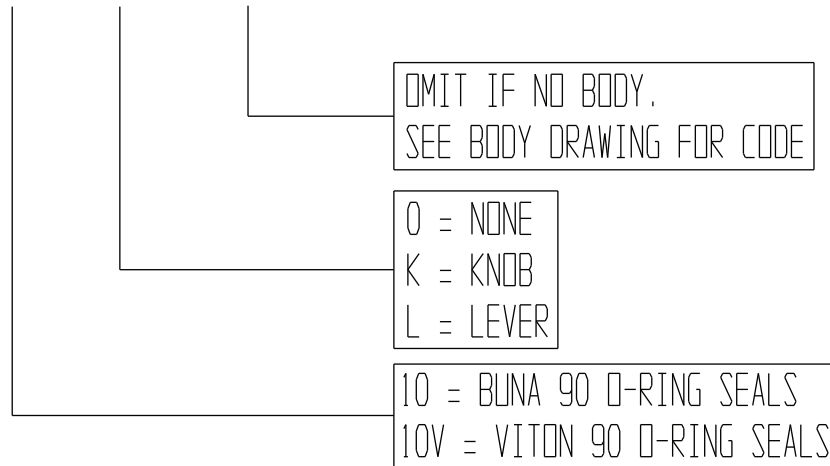


SELMR3-10X-X-XXXX



2 POSITION, 90° ROTATION,
3-WAY CARTRIDGE VALVE

GENERAL SPECIFICATIONS	
PRESSURE	5,000 PSI WORKING
FLOW RATE	7 GPM AT 100 PSI DIFFERENTIAL.
MEDIA	PETROLEUM MINERAL BASE SAE 20. OTHER BASES MAY REQUIRE SEAL CHANGES.
CAVITY	2141-10-3
SEAL KIT	5075 (BUNA), 5077 (VITON)
LEAKAGE - MAX.	INTERNAL-5 CUBIC INCHES/MIN., EXTERNAL-NONE.