

| ITEM | QUANTITY | PART NUMBER | DESCRIPTION |
|------|----------|---------------|--------------------------------------|
| 1 | 1 | 5040 | NUT |
| 2 | 1 | 5626 | CAGE |
| 3 | 1 | 5625 | SPOOL |
| 4 | 1 | 5049 | STEM |
| 5 | 1 | 5041 | RETAINER |
| 6 | 1 | 5042 | BEARING, THRUST-NEEDLE TYPE |
| 7 | 1 | 1557-.125-.85 | PIN, DOWEL ϕ .125 X .85 |
| 8 | 1 | 1570-012 | O-RING, VITON |
| 9 | 1 | 1089-012 | BACK - UP RING |
| 10 | 2 | 1221-119 | BACK - UP RING, 1/2 THICKNESS |
| 11 | 2 | 1221-118 | BACK-UP RING, 1/2 THICKNESS |
| 12 | 3 DROPS | 5121 | SEALANT-ON O.D. THREADS OF CAGE(262) |
| 13 | 1 SPRAY | 5122 | PRIMER-ON I.D. THREADS OF NUT |

| | | | |
|----|--|--|--|
| 14 | | | |
| 15 | | | |
| 16 | | | |

"L" FOR LEVER INCLUDES ITEMS 17, 18, 19 AND 20

| | | | |
|----|---|------|--------------------------------|
| 17 | 1 | 2094 | KNOB |
| 18 | 1 | 1247 | HANDLE |
| 19 | 2 | 1101 | SOCKET SET SCREW, .31-18 X .37 |
| 20 | 1 | 1248 | NUT, ACORN. .25-20 |

MODEL CODE "16" BUNA 90 O-RING SEALS

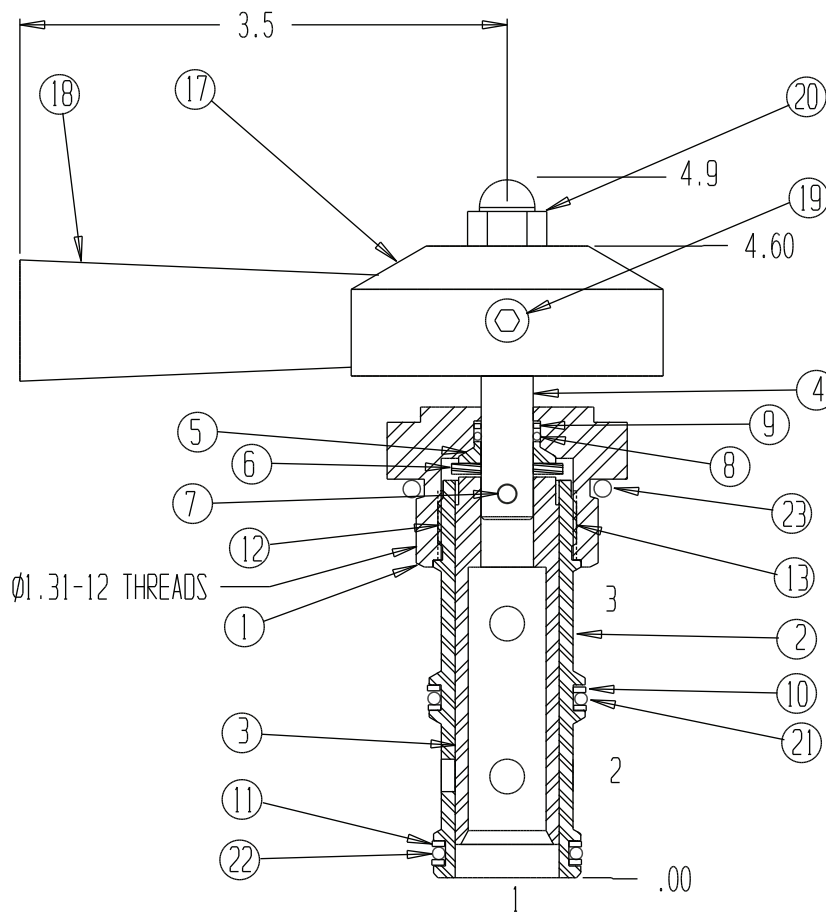
| | | | |
|----|---|----------|---------------------------|
| 21 | 1 | 1100-119 | O-RING, BUNA-90 |
| 22 | 1 | 1100-118 | O-RING, BUNA-90 |
| 23 | 1 | 1402-916 | O-RING, 90 DUROMETER-BUNA |

OR MODEL CODE "16V" 90 DUROMETER VITON O-RING SEALS

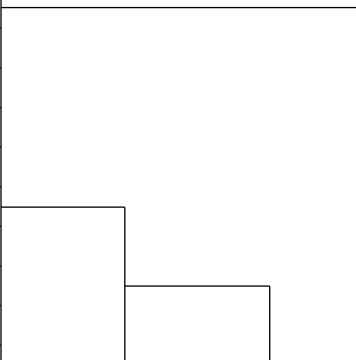
| | | | |
|----|---|----------|------------------|
| 21 | 1 | 1570-119 | O-RING, VITON 90 |
| 22 | 1 | 1570-118 | O-RING, VITON 90 |
| 23 | 1 | 1519-916 | O-RING, VITON 90 |

GENERAL SPECIFICATIONS

| | |
|-----------|---|
| PRESSURE | 5,000 PSI WORKING |
| FLOW RATE | 19 GPM AT 100 PSI DIFFERENTIAL. |
| MEDIA | PETROLEUM MINERAL BASE SAE 20. OTHER BASES MAY REQUIRE SEAL CHANGES. |
| CAVITY | 5053-16-3 |
| SEAL KIT | 5054-BUNA OR 5054-VITON |
| LEAKAGE | INTERNAL-10 CU. IN./MIN., EXTERNAL-NONE. |

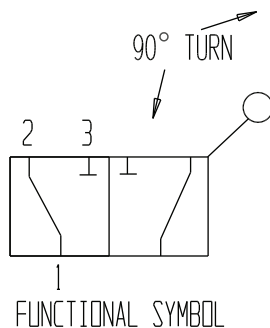


BODY CODE, OMIT IF NO BODY



SELMR3-16COX-X-XXXX

MANUAL ROTARY 3 WAY SELECTOR CARTRIDGE WITH OPEN CROSSOVER



FUNCTIONAL SYMBOL