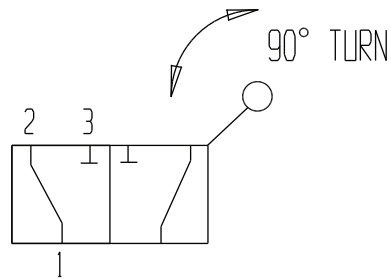
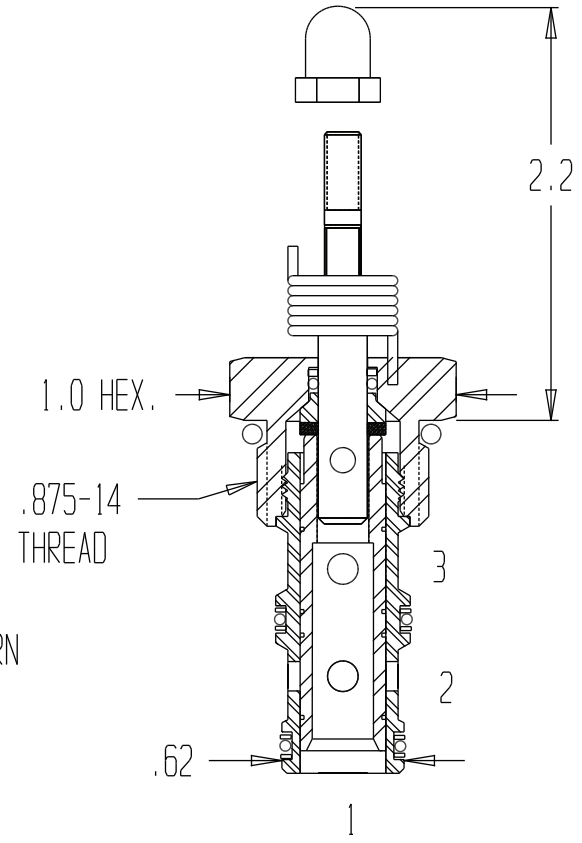
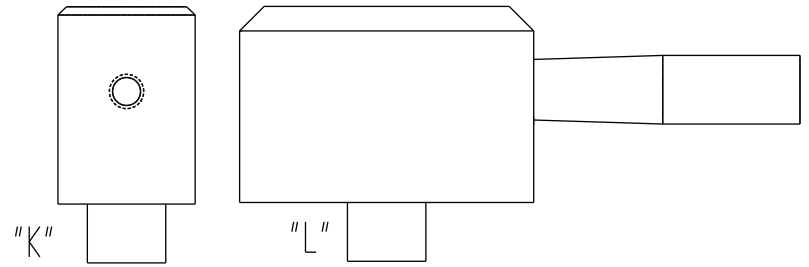
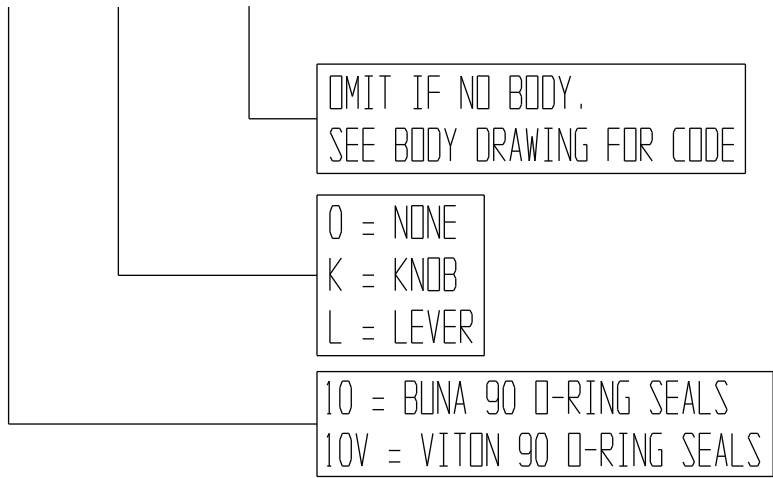


SELRET-10X-X-XXXX



FUNCTIONAL SYMBOL

2 POSITION, 90° ROTATION, SPRING RETURN, 3-WAY CARTRIDGE VALVE

GENERAL SPECIFICATIONS	
PRESSURE	5,000 PSI WORKING
FLOW RATE	7 GPM AT 100 PSI DIFFERENTIAL.
MEDIA	PETROLEUM MINERAL BASE SAE 20. OTHER BASES MAY REQUIRE SEAL CHANGES.
CAVITY	2141-10-3
SEAL KIT	5075 (BUNA), 5077(VITON)
LEAKAGE - MAX.	INTERNAL- 5 CUBIC INCHES/MIN., EXTERNAL-NONE.