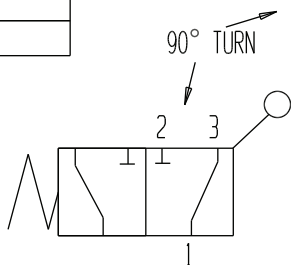


ITEM	QUANTITY	PART NUMBER	DESCRIPTION
1	1	5191	NUT
2	1	5963	CAGE
3	1	5030	SPOOL
4	1	5193	STEM
5	1	5032	RETAINER
6	1	5037	WASHER, THRUST ϕ .251/.256 X ϕ .437
7	1	1557-.125-.47	PIN, DOWEL ϕ .125 X .47
8	1	1518-010	O-RING, VITON
9	1	1089-010	BACK - UP RING
10	2	1221-015	BACK - UP RING, 1/2 THICKNESS
11	2	1221-014	BACK - UP RING, 1/2 THICKNESS
12	2 DROPS	5121	SEALANT-ON O.D. THREADS OF CAGE (262)
13	1 SPRAY	5122	PRIMER-ON I.D. THREADS OF NUT
14	1	5184	SPRING
15	1	1248-10-32	NUT, ACORN
17	1	1209	SET SCREW, .25-20 X .25
23	1 DROP	1491	THREAD LOCK

"K" KNOB INCLUDES ITEM 16			
16	1	5197	KNOB, KNURLED
"L" LEVER INCLUDES ITEMS 18 AND 19			
18	1	5192	KNOB
19	1	1210	HANDLE
MODEL CODE "10" BUNA 90 O-RING SEALS			
20	1	1402-910	O-RING, BUNA 90-DUROMETER
21	1	1100-014	O-RING, BUNA-90 DUROMETER
22	1	1100-015	O-RING, BUNA-90 DUROMETER
"OR" MODEL CODE "10V" 90 DUROMETER VITON O-RING SEALS			
20	1	1519-910	O-RING, VITON 90
21	1	1570-014	O-RING, VITON 90
22	1	1570-015	O-RING, VITON 90

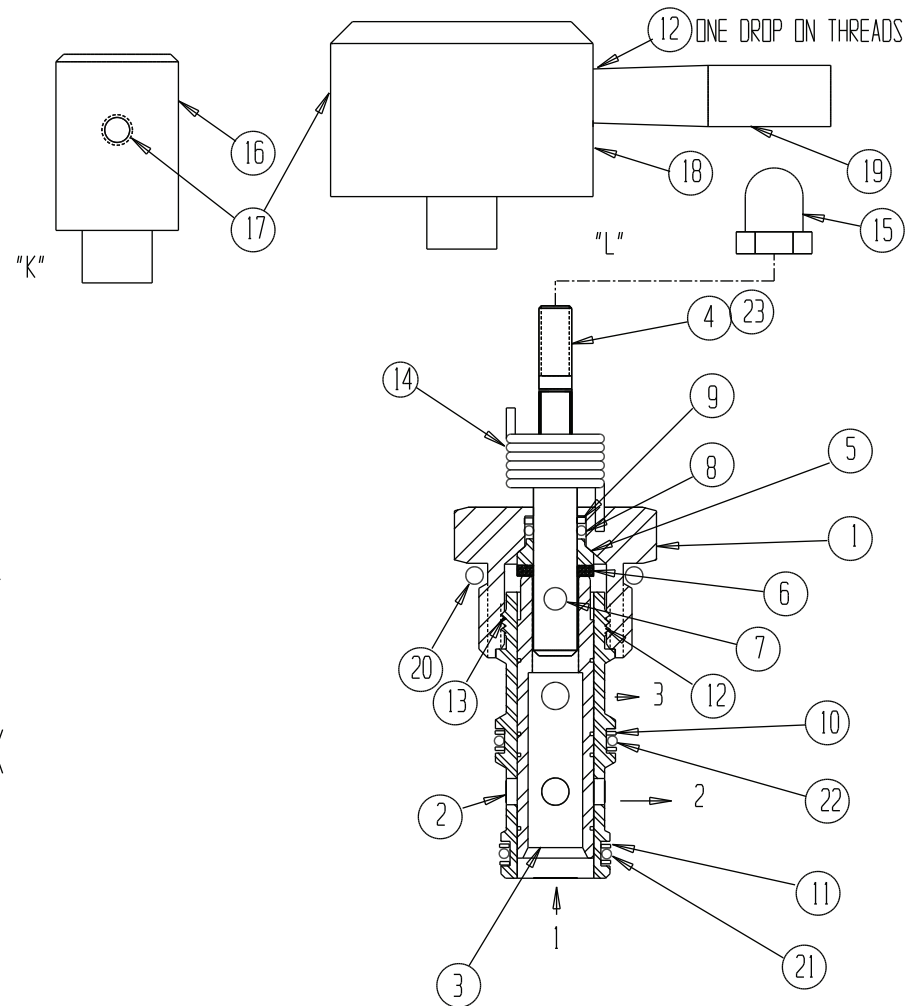
GENERAL SPECIFICATIONS	
PRESSURE	5,000 PSI WORKING
FLOW RATE	07 GPM AT 100 PSI DIFFERENTIAL.
MEDIA	PETROLEUM MINERAL BASE SAE 20. OTHER BASES MAY REQUIRE SEAL CHANGES.
CAVITY	2141-10-3
SEAL KIT	1400-BUNA
LEAKAGE	INTERNAL-5 CUBIC INCHES/MIN., EXTERNAL-NONE.



FUNCTIONAL SYMBOL

- BODY CODE, OMIT IF NONE

SELRET1-10X-X-XX



MANUAL ROTARY 3 WAY SELECTOR CARTRIDGE WITH SPRING RETURN AND CROSSOVER BETWEEN 2 AND 3