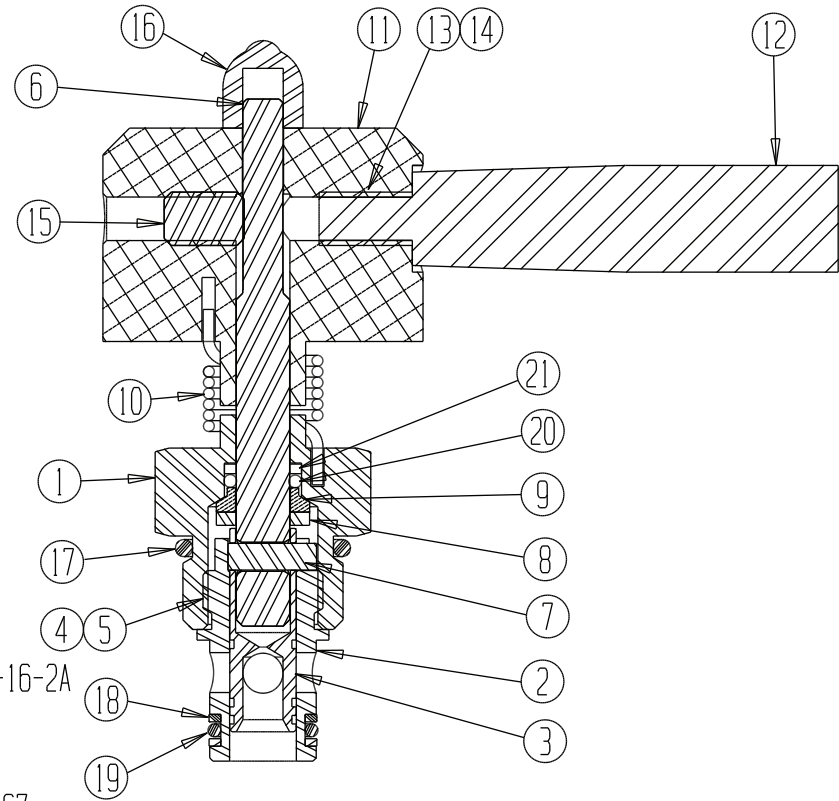
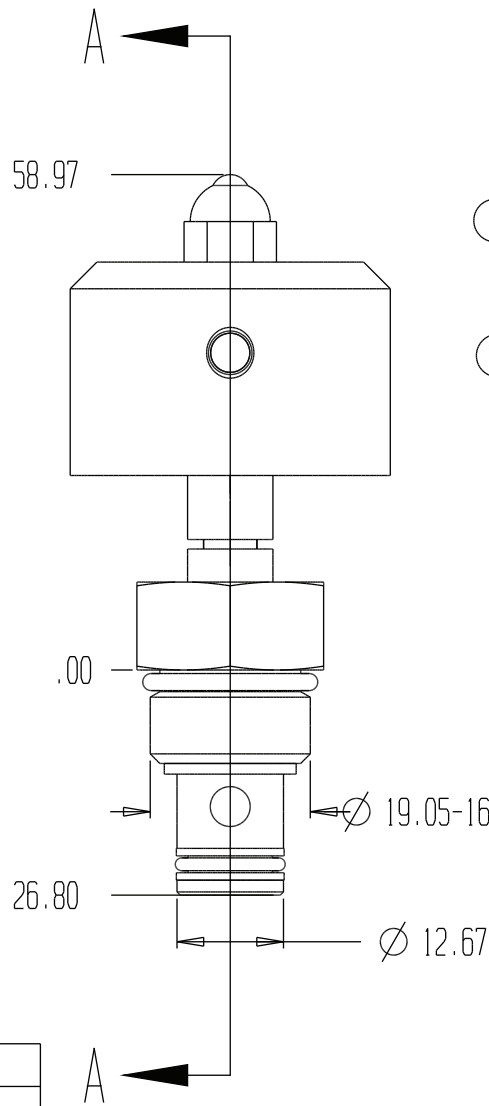


ITEM	QUANTITY	PART NUMBER	DESCRIPTION
1	1	5719	CAP
2	1	5340	CAGE
3	1	5724	SPOOL
4	1 SPRAY	5122	PRIMER, ON I.D. THREADS
5	2 DROPS	5121	SEALANT, ON O.D. THREADS
6	1	5723	STEM
7	1	1557-.125-.415	PIN, DOWEL
8	1	5037	WASHER, THRUST
9	1	5032	RETAINER, SEAL
10	1	5184	SPRING
11	1	5192	KNOB
12	1	1210	HANDLE
13	1 SPRAY	5122	PRIMER-ON I.D. THREADS OF NUT
14	1 DROPS	5121	SEALANT-ON CAGE THREADS(262)
15	1	1209	SET SCREW, .25-20
16	1	1248-10-32	NUT, ACORN
17	1	1402-908	O-RING, BUNA 90-DUROMETER
18	2	1221-012	BACK-UP RING, 1/2 WIDTH TEFLON
19	1	1100-012	O-RING, BUNA 90 DUROMETER
20	1	1518-010	O-RING, VITON 75
21	1	1089-010	BACK-UP RING, TEFLON



GENERAL SPECIFICATIONS	
PRESSURE	5,000 PSI WORKING
FLOW RATE	08 GPM AT 100 PSI DIFFERENTIAL.
MEDIA	PETROLEUM MINERAL BASE SAE 20. OTHER BASES MAY REQUIRE SEAL CHANGES.
CAVITY	84-2
SEAL KIT	1400-BUNA
LEAKAGE	INTERNAL-5 CUBIC INCHES/MIN., EXTERNAL-NONE.

SELRET2-84
2-WAY NORMALLY CLOSED SPRING
RETURN SELECTOR CARTRIDGE