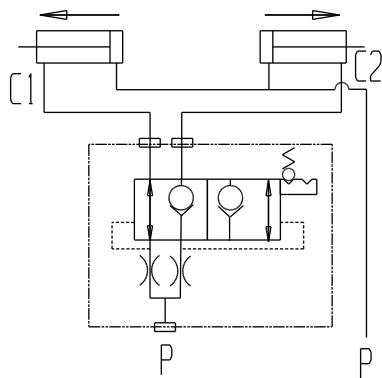


8006-XXX

ORIFICE SIZE	OLD PART #	FLOW RATE
047	8006-1	1.2-1.5 GPM
055	8006-2	1.5-2.0 GPM
062	8006-3	2.0-4.5 GPM
076	8006-4	4.5-7.5 GPM

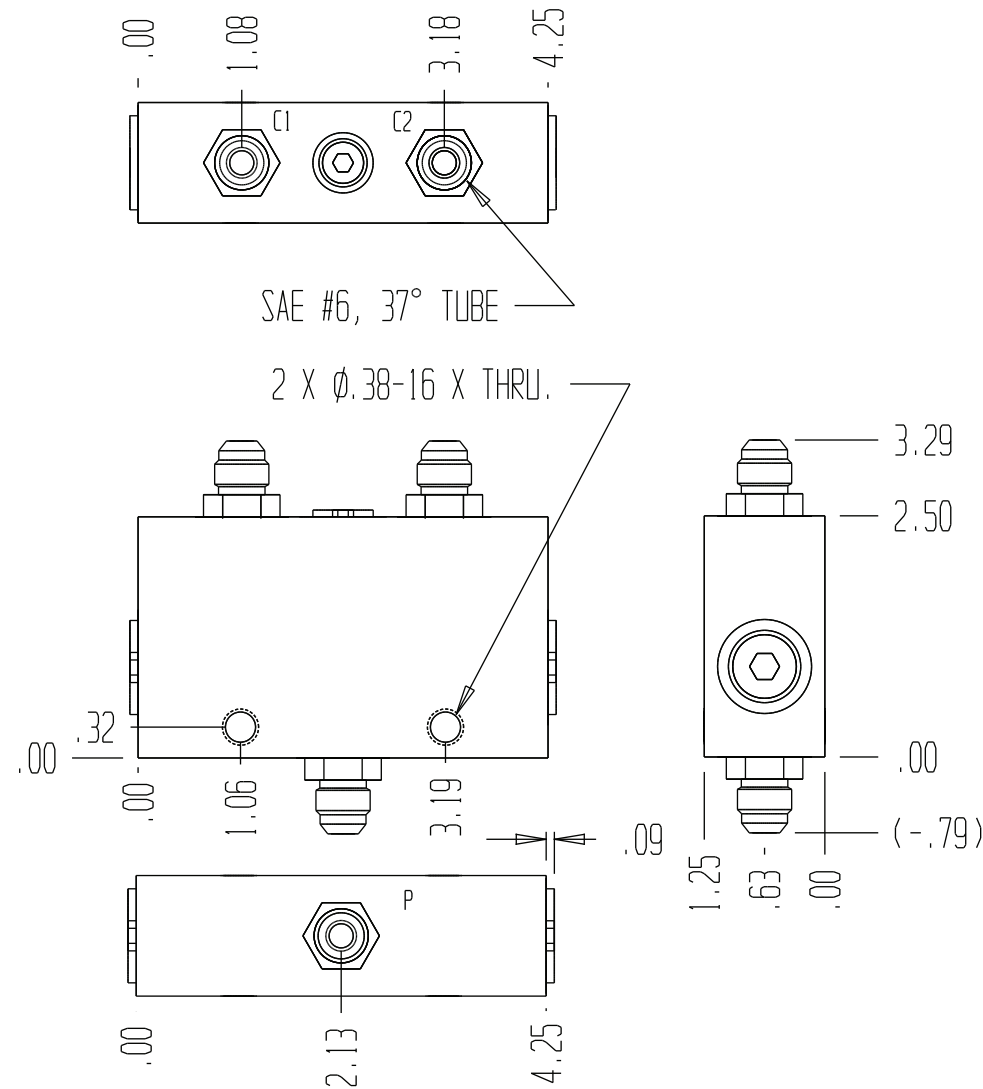
LOWER MARKER
OR CHECKED

LOWER MARKER
OR CHECKED



FUNCTIONAL SCHEMATIC

GENERAL SPECIFICATIONS	
PRESSURE	5,000 PSI WORKING
FLOW RATE	SEE ORIFICE SIZE CHART ABOVE
MEDIA	PETROLEUM MINERAL BASE SAE 20. OTHER BASES MAY REQUIRE SEAL CHANGES.
SEAL KIT	1223
LEAKAGE MAX.	INTERNAL- 5 CUBIC INCHES/MIN., EXTERNAL- NONE.



ROW MARKER SEQUENCE VALVE