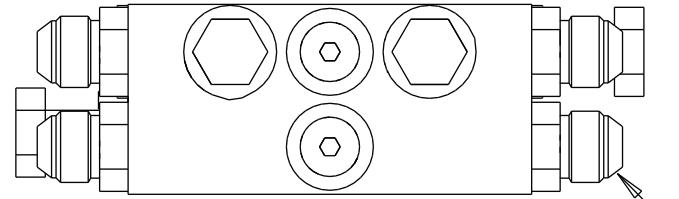
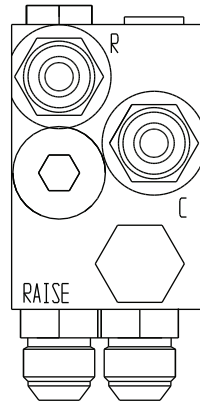
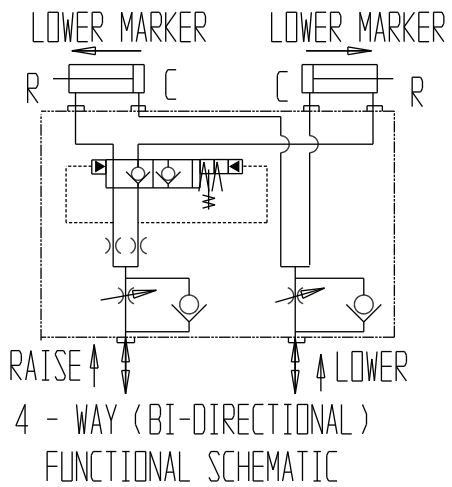
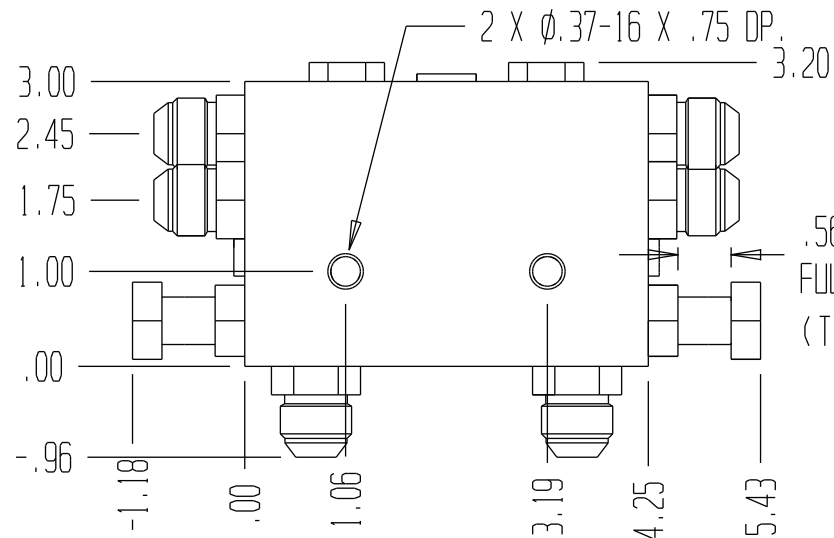


8047-XXX

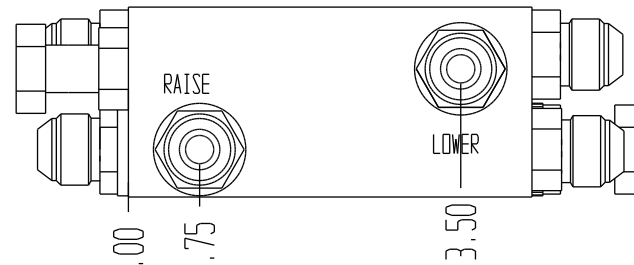
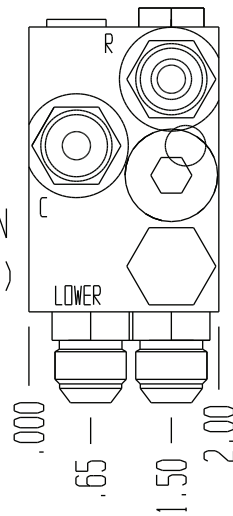
ORIFICE SIZE	FLOW RATE
047	1.2-1.5 GPM
055	1.5-2.0 GPM
062	2.0-4.5 GPM
076	4.5-7.5 GPM



6 X SAE 8
37° TUBE



.56/.58
FULL OPEN
(TYPICAL)



ROW MARKER SEQUENCE VALVE
THIS VALVE SEQUENCES ROW
MARKERS AND HAS LIMITED
FLOW CONTROL. SAE NO. 8
FITTINGS.

	GENERAL SPECIFICATIONS
PRESSURE	5,000 PSI WORKING
FLOW RATE	SEE ORIFICE SIZE CHART ABOVE
MEDIA	PETROLEUM MINERAL BASE SAE 20. OTHER BASES MAY REQUIRE SEAL CHANGES.
SEAL KIT	1223
LEAKAGE MAX.	INTERNAL- 10 CUBIC INCHES/MIN., EXTERNAL- NONE.